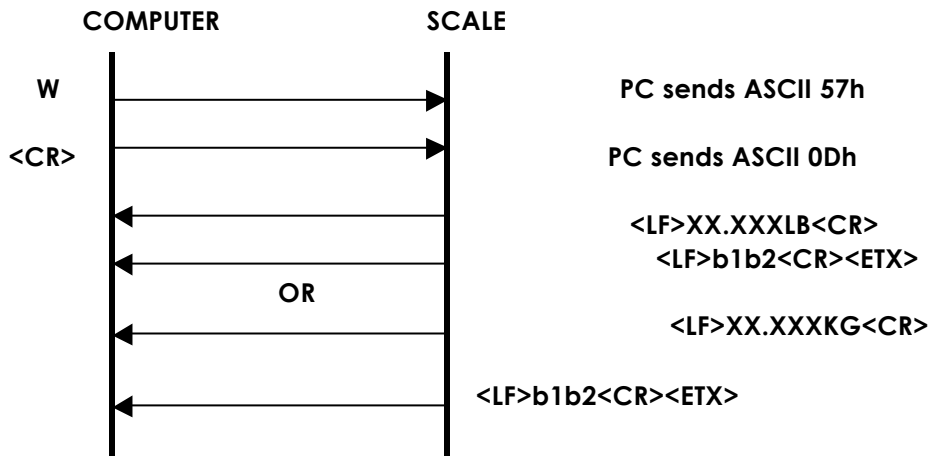


INTERFACE

A. THE COMMUNICATION AGREEMENTS

1. BAUD RATE : 9600 bps
2. DATA BIT : 8 bit
3. STOP BIT : 1 bit
4. PARITY BIT : No
5. COMMUNICATION LEVEL : RS-232C LEVEL
6. DATA FORMAT : ASCII
7. THE COMMAND DEFINITIONS
 - 7-1. "W" : ASCII 57h
 - 7-2. <STX> : ASCII 02h
 - 7-3. <CR> : ASCII 0Dh
 - 7-4. <LF> : ASCII 0Ah
 - 7-5. <ETX> : ASCII 03h

A.1 THE PROTOCOL



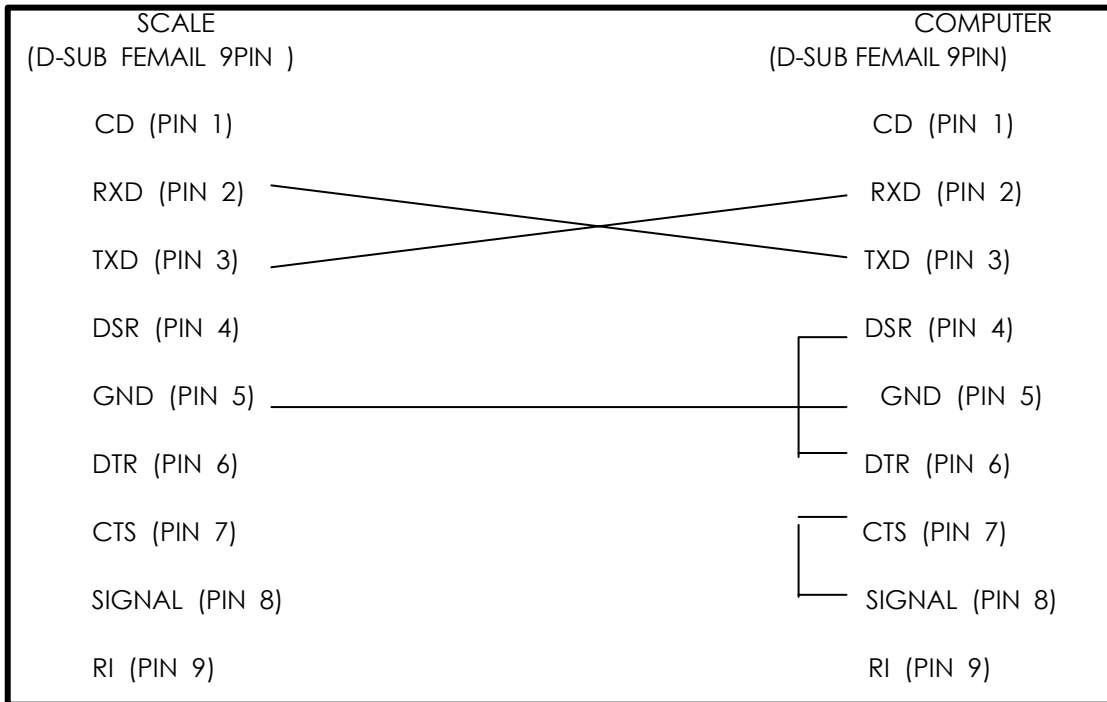
- o XX.XXX = Weight in pounds or Kilos
- o LB = the characters L and B.
- o KG = the characters K and G.
- o b1b2 = two status characters. (See below.)

< STATUS CODES SIMPLIFIED >

b1	b2	STATUS DEFINITION
ASCII CHARACTER	ASCII CHARACTER	
0 (30h)	0 (30h)	OK
1 (31h)	0 (30h)	Motion
2 (32h)	0 (30h)	Scale at zero
0 (30h)	1 (31h)	Under capacity
0 (30h)	2 (32h)	Over capacity

A.2 THE WIRE CONNECTIONS

1. THE WIRE CONNECTIONS OF THE D-SUB 9 PIN CONNECTOR OF A COMPUTER SIDE



2. THE WIRE CONNECTIONS OF THE D-SUB 25 PIN CONNECTOR OF A COMPUTER SIDE

