

Product Description

The type CPB is a very low profile compact planar beam load cell. Its unique Flintec design allows for an extremely low scale construction.

Application

- Compact scales, bench and floor scales, special applications in medical and other areas

Key Features

- Capacities from 3 kg to 60 kg
- Aluminium construction
- Environmental Protection IP65
- Very low profile design
- Single point performance
- Maximum platform size up to 350 x 350 mm

Approvals

- OIML approval to C3 (Y = 7 500) for capacities 15 to 60 kg, lower capacities in preparation
- FM hazardous area approval

Packed Weight

■ Capacity (kg)	3–15	30–60
Weight (kg)	0.5	0.75

Available Accessories

- Compatible range of electronics

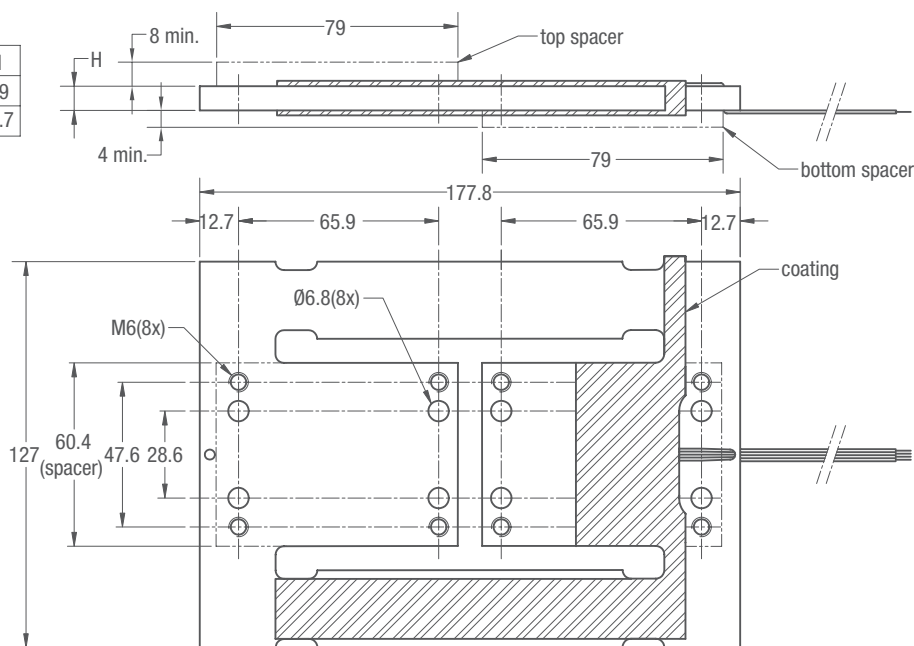
CPB Specifications

	(E _{max})	kg	3 / 6 / 15 / 30 / 60	
Maximum capacity			(GP)	C3
Accuracy class according to OIML R60			n.a.	3 000
Maximum number of verification intervals	(n _{max})		n.a.	E _{max} / 7 500
Minimum load cell verification interval	(v _{min})		n.a.	
Temperature effect on minimum dead load output	(TC ₀)	%*R ₀ /10°C	≤ ± 0.0400	≤ ± 0.0187
Temperature effect on sensitivity	(TC _{R0})	%*R ₀ /10°C	≤ ± 0.0200	≤ ± 0.0100
Combined error		%*R ₀	≤ ± 0.0500	≤ ± 0.0200
Non-linearity		%*R ₀	≤ ± 0.0400	≤ ± 0.0166
Hysteresis		%*R ₀	≤ ± 0.0400	≤ ± 0.0166
Creep error (30 minutes) / DR		%*R ₀	≤ ± 0.0600	≤ ± 0.0166
Rated Output	(R ₀)	mV/V	1 ± 10%	
Zero balance		%*R ₀	≤ ± 5	
Excitation voltage		V	5...15	
Input resistance	(R _{LC})	Ω	415 ± 20	
Output resistance	(R _{out})	Ω	350 ± 25	
Insulation resistance (100 V DC)		MΩ	≥ 5 000	
Safe load limit	(E _{lim})	%*E _{max}	300	
Ultimate load		%*E _{max}	400	
Safe side load		%*E _{max}	200	
Maximum platform size; loading acc. to OIML R76		mm	300 x 300 for 3 to 15 kg / 350 x 350 for 30 and 60 kg	
Compensated temperature range		°C	-10...+40	
Operating temperature range		°C	-10...+65	
Load cell material			aluminium	
Sealing			environmentally sealed	
Protection according DIN 40.050			IP65	

The limits for Non-Linearity, Hysteresis, and TC_{R0} are typical values.
The sum of Non-linearity, Hysteresis and TC_{R0} meets the requirements according to OIML R60 with p_{LC}=0.7.

Dimensions (in mm)

dimension	H
3...15 kg	7.9
30...60 kg	12.7



Wiring

- The load cell is provided with a 4 conductor ribbon cable
- Cable length: 250 mm

