

WE2108

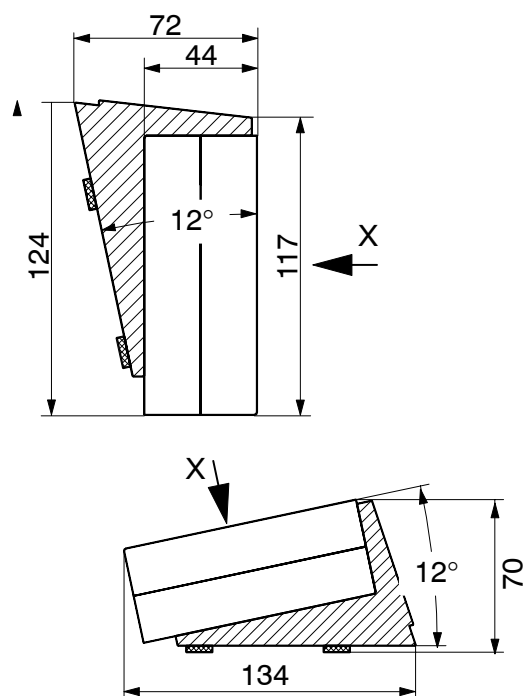
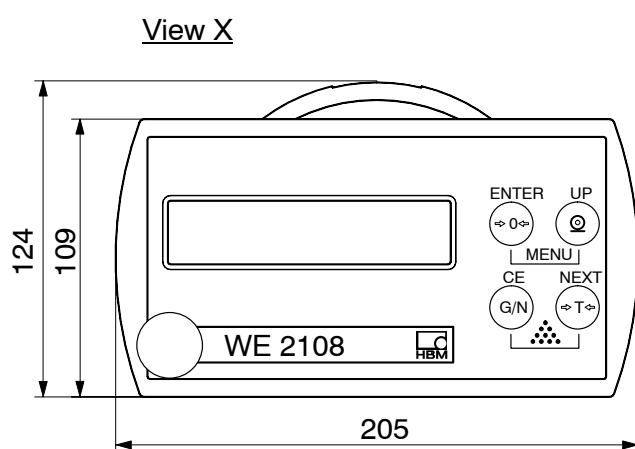
Scale electronic unit
(NAWI)

Special features

- OIML-class up to 6000 d
- Multi-Range / Multi-Interval
- Designed for
 - wall or column mounting
 - use as desktop unit
- Basic functions:
 - Gross, Net, Tare, Printing
- Counting scale function
- RS-232-interface
- Two digital in- / outputs
- Protection class IP65



Dimensions (in mm; 1 mm= 0.03937 inches)



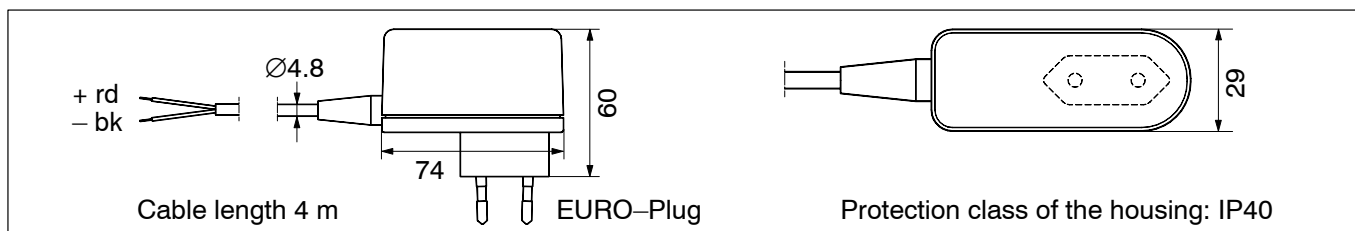
Specifications

| Type | WE2108 | |
|--|---|--|
| Max. number of scale intervals accord. to OIML R76 (class III, IIII) | d | 6000; 2 x 3000; Multi-Range; Multi-Interval |
| Input sensitivity | $\mu\text{V/e}$ | ≥ 1 |
| Measuring range | mV/V | 0 ... 2.7 |
| Min. input impedance of the load cell | Ω | 87 |
| Max. input impedance of the load cell | Ω | 2000 |
| Load cell excitation voltage | V_{DC} | 6.5 |
| Cable length between WE2108 and load cell(s) | m | max. 100 |
| Measuring rate | Meas./s | 50 ... 28 |
| Filter | Hz | 2 ... 12 |
| Cut-off frequency (-3 dB) | ms | 90 ... 625 |
| Transient respond time | | |
| Power supply | V_{DC} | 10 ... 35 |
| Power consumption (incl. Display lighting) | W | 2.5 |
| Display | | LCD with back-lighting |
| Hight of display | mm | 20 |
| Status symbols | | Zero, Net, Motion, Unit, Range |
| Keys | | Foil keyboard (tactile feedback) |
| 2 Digital inputs (e.g. Brutto, Tare, Net, Printer) | | Active level <0.8 V, Ri=10 k Ω |
| Permissible range of voltage | V | -30 ... +30 |
| 2 Digital outputs (e.g. for PLC) | V | max. 40 (Open Collector) |
| Max. current | A | 0.2 typ. |
| Serial interface | | 1 x RS-232 (cable length ≤ 25 m) |
| Baud-rate, adjustable | Bd | 1200 ... 9600 |
| Serial interface functions | | Print, serial display (autom. output), PC-connection |
| Nominal temperature range | $^{\circ}\text{C}$ [$^{\circ}\text{F}$] | -10 ... +40 [14 ... 104] |
| Service temperature range | $^{\circ}\text{C}$ [$^{\circ}\text{F}$] | -10 ... +60 [14 ... 140] |
| Storage temperature range | $^{\circ}\text{C}$ [$^{\circ}\text{F}$] | -30 ... +70 [-22 ... 158] |
| Connection / Fitting | | 4 x PG 7 |
| Weight, approx. | kg | 1 |
| Protection class acc. to EN 60 529 (IEC 529) | | IP65 |
| Immunity level (EMC) accord. to EN 45501 (3 V/m) | | additional tested up to 10 V/m |
| Housing material | | ABS, free of halogene |

Scope of supply: – WE2108
– Reference Manual

Accessories, to be ordered separately:

- CD-ROM with WE2108-Panel-Software and Communication Protocol for PC
- Power supply unit (100 ... 240 V), Order no. 1-AC/DC15V/550mA



Modifications reserved.

All details describe our products in general form only. They are not to be understood as express warranty and do not constitute any liability whatsoever.

Hottinger Baldwin Messtechnik GmbH

Im Tiefen See 45, D-64293 Darmstadt, Germany

Tel.: +49 6151 8030; Fax: +49 6151 803 9100

E-mail: support@hbm.com www.hbm.com



measurement with confidence