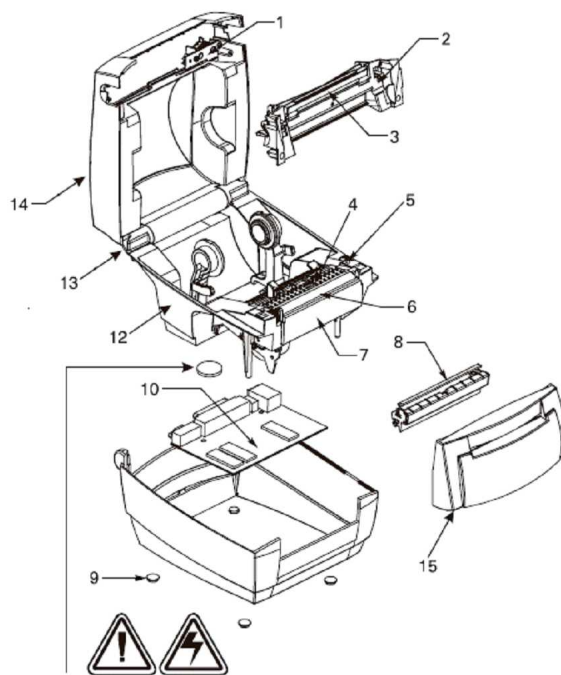


LP 2844-Z Parts Catalog

View 1



11 CAUTION—Risk of explosion if battery is replaced with an incorrect type.

Note—Recycle batteries according to local guidelines and regulations.

Item Number	Description	Part Number	Kit Quantity
1	Feed Switch / Sensor Assy.	G105916-013	3
1	Feed Switch Assy. (printers with a manufacturer date of 7/2004 or earlier)	105910-004	3
2	Latch Assy.	G105910-068	1
3	Printhead Assy.,	G105910-048	1
3	Print Head Cable Set	105915-091	1
4	Gap / Blackline Sensor PCBA	G105910-069	3
5	Head Up Sensor	G105916-015	1
6	Platen Kit, std.	105910-001	3
6	Platen Kit, Liner Free	105910-002	1
7	Front Bezel, Std. Kit	105910-005	10
8	Front Bezel, Dispenser	G105916-002	1
8	Label Taken Sensor PCBA	G105916-001	3
9	Rubber Foot Kit	105910-007	24
10	Main Control PCBA, Std. Memory, Ser./Par./USB	G105916-004	1
10	Main Control PCBA, Std. Memory, Ser./Ethernet/USB	G105916-005	1
10	Main Control PCBA, Full Memory, Ser./Par./USB	G105916-006	1
10	Main Control PCBA, Full Memory, Ser./Ethernet/USB	G105916-007	1
10	Interface Protection Fuse, 1A	G105950-056	10
10	Kit, Ethernet IO PCBA with cables	G105910-121	1
10	Kit, PrintServerII Daughter Board	G105910-123	1
10	Kit, 4 Ethernet Back Panel	G105910-124	1
11	Battery, 3V Lithium	G105950-003	10
12	Bottom Frame Assy.	G105916-020	1
13	Cover Hinge	G105910-073	10
14	Upper Cover Assy.	G105916-021	1
15	Cutter Replacement Kit	G105910-029	1

**LP 2844-Z Parts Catalog**

Item Number	Description	Part Number	Kit Quantity
	Motor, Assy.	G105910-108	1
	Power Supply, 100V-240V (C5) with US & Euro Cords (200dpi)	105950-060	1
	Power Supply, 100V-240V (C5) with UK & EUR Cords (200dpi)	105950-076	1
	Power Cord, U.S. 120V, IEC320C5	105950-061	5
	Power Cord, Euro 220V, IEC320C5	105950-062	5
	Power Cord, U.K. 240V, IEC320C5	105950-063	5
	Power Cord, Australia 240V, IEC320C5	105950-064	5
	Power Cord, China 220V, IEC320C5	105950-065	5
	Power Cord, Argentina 220V, IEC320C5	105950-066	5
	Power Cord, Japan 125V, IEC320C5	105950-077	5
	Shipping Pack	105950-050	1
	CD-ROM, ZPL Desktop Printers Software & Documentation	105950-053	1
	CD-ROM, Service Documentation	105950-051	1