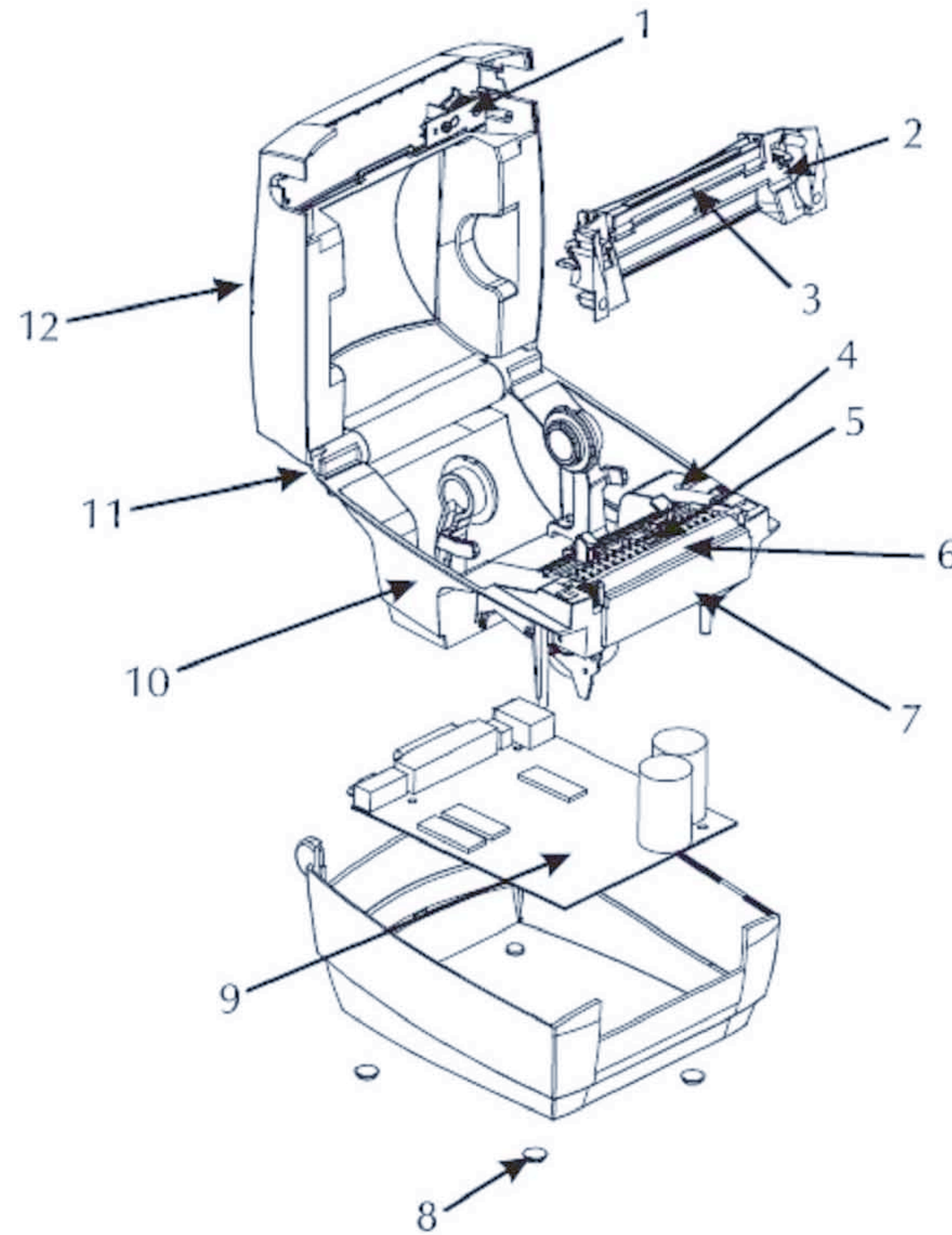




LP 2844 Parts Catalog

View 1



Item Number	Description	Part Number	Kit Quantity
1	Feed Switch / Sensor Assy.	G105910-064	3
1	Feed Switch Assy. (printers with a manufacturer date of 7/2004 or earlier)	105910-004	3
2	Latch Assy.	G105910-068	1
3	Printhead Assy.,	G105910-048	1
3	Print Head Cable Set	105915-091	1
4	Head Up Sensor	G105910-072	1
5	Gap / Blackline Sensor PCBA	G105910-069	3
6	Platen Kit, std.	105910-001	3
6	Platen Kit, Liner Free	105910-002	1
7	Front Bezel, Std. Kit	105910-005	10
7	Front Bezel, Dispenser	G105910-022	1
7	Label Taken Sensor PCBA	G105910-013	3
8	Rubber Foot Kit	105910-007	24
9	Main Control PCBA, Par./RS-232/USB, Full Memory, Cutter compatible	G105910-050	1
9	Main Control PCBA, Ethernet ready/RS-232/USB, Full Mem, Cutter compatible	G105910-122	1
9	Kit, Ethernet IO PCBA with cables	G105910-121	1
9	Kit, PrintServerII Daughter Board	G105910-123	1
9	Kit, 4 Ethernet Back Panel	G105910-124	1
9	Real Time Clock / Date I.C	G105950-026	1
10	Bottom Frame Assy.	G105910-078	1
11	Cover Hinge	G105910-073	10
12	Upper Cover Assy.	G105910-070	1

**LP 2844 Parts Catalog**

Item Number	Description	Part Number	Kit Quantity
	Motor, Assy.	G105910-108	1
	Power Supply, 100V-240V (C5) with US & Euro Cords (200dpi)	105950-060	1
	Power Supply, 100V-240V (C5) with UK & EUR Cords (200dpi)	105950-076	1
	Power Cord, U.S. 120V, IEC320C5	105950-061	5
	Power Cord, Euro 220V, IEC320C5	105950-062	5
	Power Cord, U.K. 240V, IEC320C5	105950-063	5
	Power Cord, Australia 240V, IEC320C5	105950-064	5
	Power Cord, China 220V, IEC320C5	105950-065	5
	Power Cord, Argentina 220V, IEC320C5	105950-066	5
	Power Cord, Japan 125V, IEC320C5	105950-077	5
	Cutter Replacement Kit, LP	G105910-029	1
	Shipping Pack	105950-050	1
	CD-ROM, EPL Desktop Printers Software & Documentation	105950-028	1
	CD-ROM, Service Documentation	105950-051	1