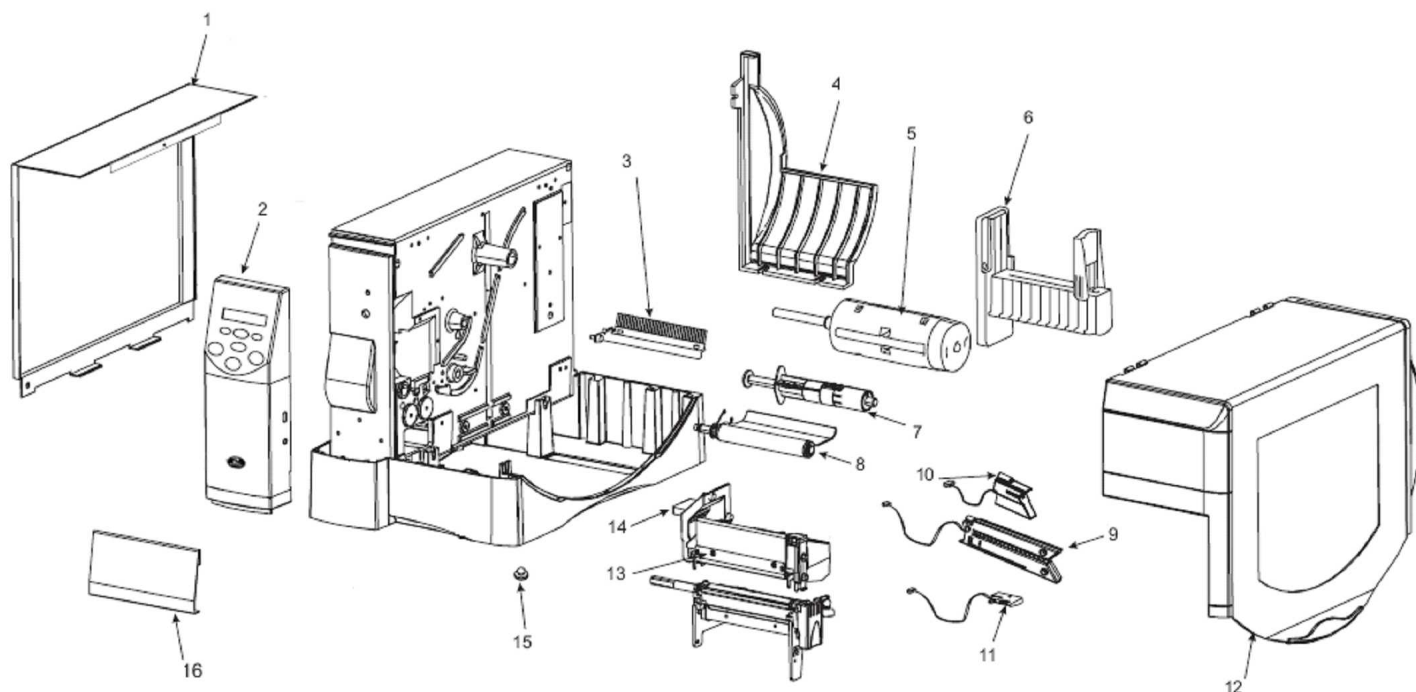


ZxMPlus Series Parts Catalog

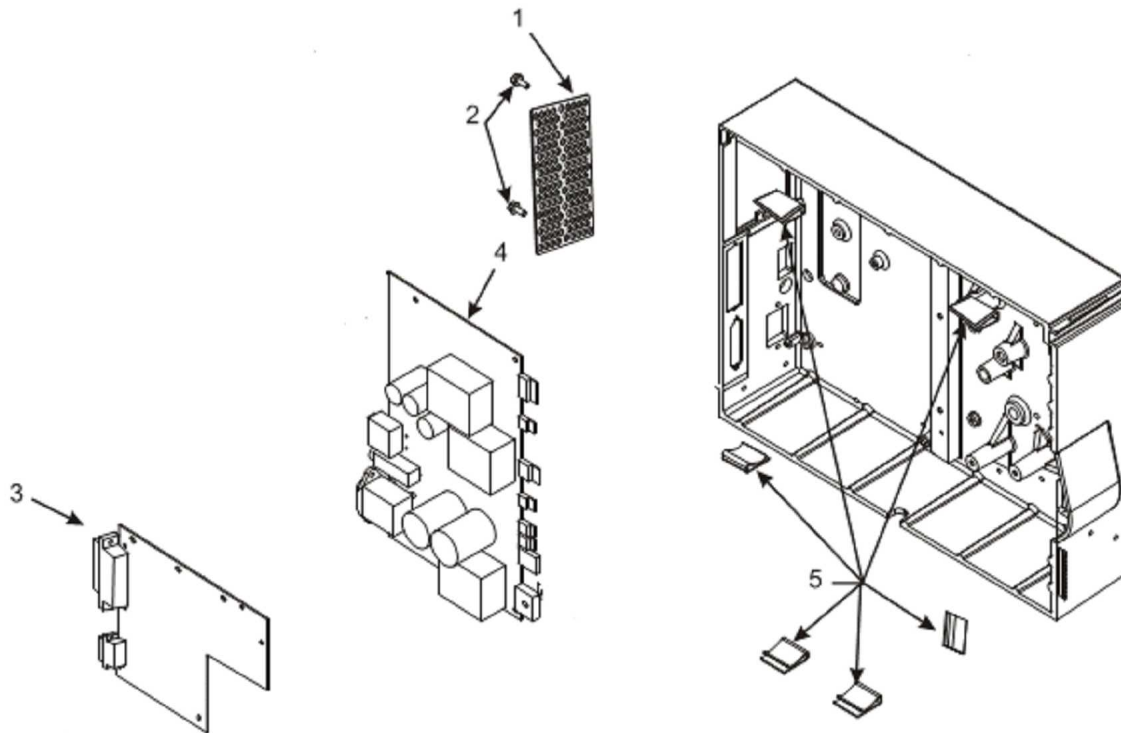
Outer Casing & Media Side Assemblies



Item Number	Description	Part Number	Kit Quantity
1	Kit Electronic Cover ZxM+ Series	G77695M	1
2	Kit Control Panel ZxM+ Series	G79032M	1
3	Kit Ribbon Static Brush Z4M+ & S4M	G77302M	1
3	Kit Ribbon Static Brush Z6M+	G77302-6M	1
4	Rear Lower Media Cover, Z6M+	77704	1
4	Rear Media Cover, Z4M+	77629	1
5	Kit Ribbon Take-Up Spindle Z4M+ & ZM400	G77100M	1
5	Kit Ribbon Take-Up Spindle Z6M+ & ZM600	G77117M	1
6	Kit Media Hanger Z4M+	G77380M	1
6	Kit Media Hanger Z6M+	G77381M	1
7	Kit Ribbon Supply Spindle Z4M+	G77085M	1
7	Kit Ribbon Supply Spindle Z6M+	G77082M	1
8	Kit Dancer Z4M+ & S4M	77238M	1
8	Kit Dancer Z6M+	G77331M	1
9	Kit Adjustable Transmissive Media Sensor Z4M+ only	G77890M	1
10	Kit Media Sensor Transmissive ZxM+ Series	G77752M	1
11	Kit Ribbon Out/Head-Open Sensor ZxM+ Series	G77767M	1
12	Kit Media Cover Z4M+	G79053M	1
12	Kit Media Cover Z6M+	G79054M	1
13	Ribbon Strip Plate, Z4M+	77049-104	1
13	Ribbon Strip Plate, Z6M+	77049-168	1
14	Magnetic Latch ZxM+ Series	77660	1
15	Kit Rubber Bumper Feet, Qty of 10	HW44014	10
16	Front Lower Cover Z4M+	78222	1
16	Front Lower Cover Z6M+	77702	1

ZxMPlus Series Parts Catalog

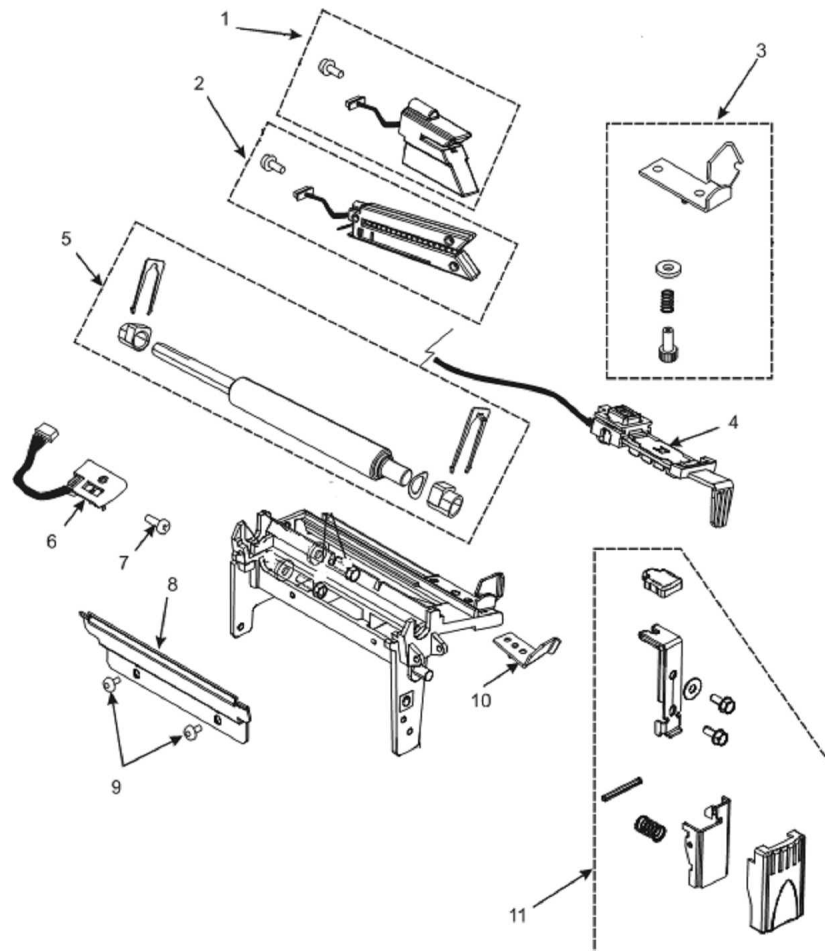
Electronics



Item Number	Description	Part Number	Kit Quantity
1	Back Cover Plate ZxM+ Series	78836	1
2	Screw M4 x 0.7 x 10, Qty of 5	HW78814	1
3	Kit Main Logic Board 4MB ZxM+ Series	34901-010M	1
3	Kit Main Logic Board 64MB ZxM+ Series	34901-012M	1
4	Kit Power Supply w/ground wire ZxM+ Series	G77150M	1
5	Clamp, Flat Cable, 1 x 1 Nylon	HW07808	25
	Kit Internal Printserver 10/100 (Ethernet Port)	G78210	1
	Kit Internal Printserver II 10Base-T (Ethernet Port)	G78206	1
	Kit Optional Socket PCMCIA ZxM+ Series	G79080	1
	US Power Cord 79in Detachable	46693	1

ZxMPlus Series Parts Catalog

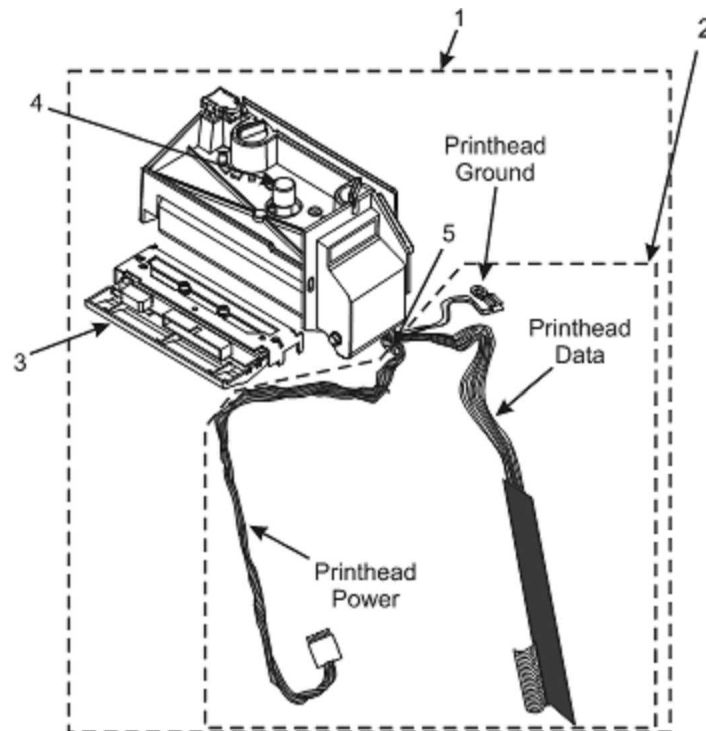
Sensors & Platen Roller



Item Number	Description	Part Number	Kit Quantity
1	Kit Transmissive Media Sensor ZxM+ Series	G77752M	1
2	Kit Adjustable Transmissive Sensor Z4M+ only	G77890M	1
3	Kit Outer Media Guide ZxM+ Series	G77935M	1
4	Media Sensor Assy Kit, Z4M+	G77807M	1
4	Media Sensor Assy Kit, Z6M+	G77808M	1
5	Kit Platen Roller Kit Z6M+	G77022M	1
5	Kit Platen Roller Z4M+ & S4M	G77023M	1
6	Kit Ribbon Out Head-Open Sensor ZxM+ Series	G77767M	1
7	Screw M4 x 0.7 x 10, Qty of 5	HW78814	5
8	Kit Peel Tear Bar Z4M+ & S4M	77625M	1
8	Kit Peel Tear Bar Z6M+	77799M	1
9	Screw M3 x 8 Fing So S Bo, Qty of 25	HW77231	25
10	Media Edge Guide (use with adjustable transmissive sensor only)	77887	1
11	Kit Print Mech Latch ZxM+ Series	G77112M	1

ZxMPlus Series Parts Catalog

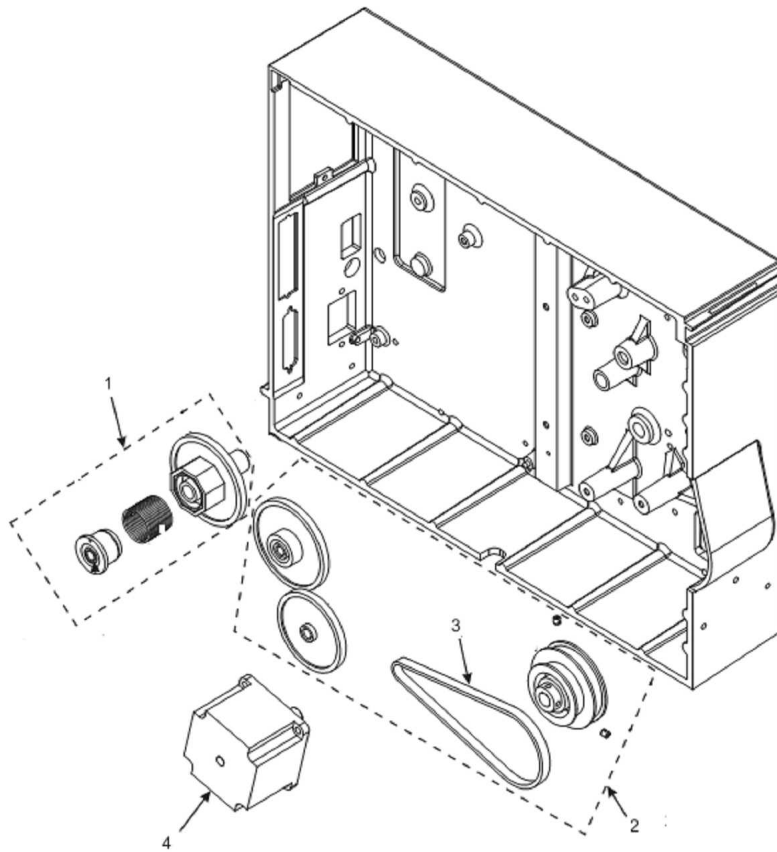
Print Mechanism Components



Item Number	Description	Part Number	Kit Quantity
1	Kit Print Mechanism & 203 dpi Printhead Z4M+	G77171M	1
1	Kit Print Mechanism & 203 dpi Printhead Z6M+	G77175M	1
1	Kit Print Mechanism & 300 dpi Printhead Z4M+	G78172M	1
1	Kit Print Mechanism & 300 dpi Printhead Z6M+	G77175-300M	1
2	Kit Printhead Cables Z4M+ and Z6M+	G77804M	1
3	Printhead Z4M+ 203 dpi	G79056-1M	1
3	Printhead Z4M+ 300 dpi	G79057M	1
3	Printhead Z6M+ 203 dpi	G79058M	1
3	Printhead Z6M+ 300 dpi	G79059M	1
4	Screw, Printhead Mounting, QTY OF 5	HW77047	5
5	Cable Tie (Quantity of 20)	HWQ06020	20

ZxMPlus Series Parts Catalog

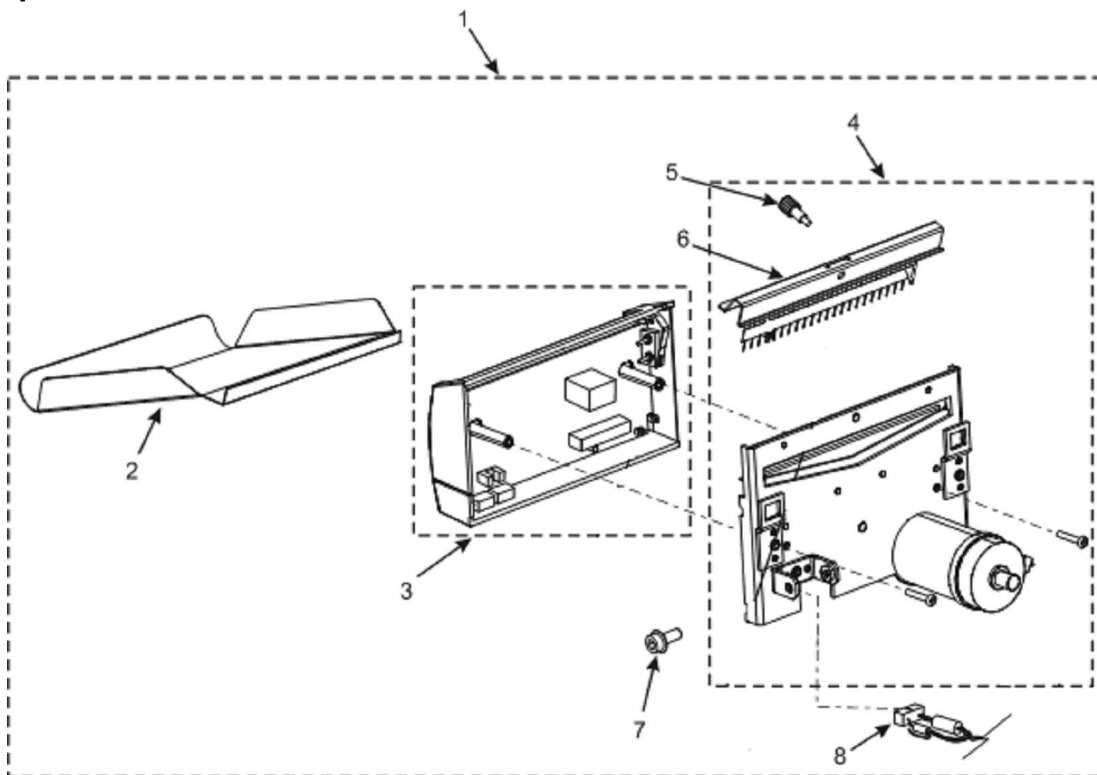
Drive System Components



Item Number	Description	Part Number	Kit Quantity
1	Kit Ribbon Take-Up Clutch ZxM+ & ZMx00	77814M	1
2	Kit Drive Pulley Gear System	77803M	1
3	Main Drive Belt, 144T	77396	1
4	Stepper Motor Assy Kit ZxM+ & ZMx00	G77813M	1

ZxMPlus Series Parts Catalog

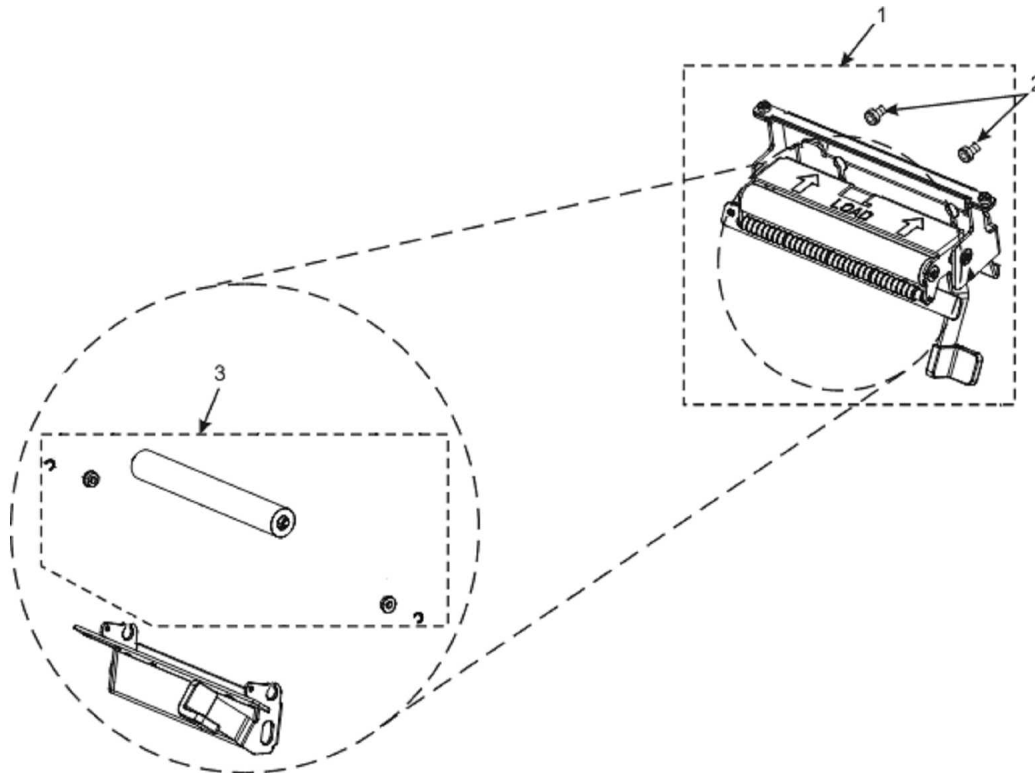
Cutter Components



Item Number	Description	Part Number	Kit Quantity
1	Kit Cutter Option Z4M+	G77971	1
1	Kit Cutter Option Z6M+	G77972	1
2	Cutter Catch Tray Z4M+	77041	1
2	Cutter Catch Tray Z6M+	77997	1
3	Kit PCB Cover Cutter Z4M+	G77973M	1
3	Kit PCB Cover Cutter Z6M+	G77974M	1
4	Kit Cutter Module Z4M+	G77990M	1
4	Kit Cutter Module Z6M+	G77995M	1
5	Thumb Screw	77412	1
6	Cutter Static Brush Z4M+	78120	1
6	Cutter Static Brush Z6M+	78121	1
7	Screw M4 x 10 Head Socket Zn	HW43894	1
8	Cable, Cutter	34551	1

ZxMPlus Series Parts Catalog

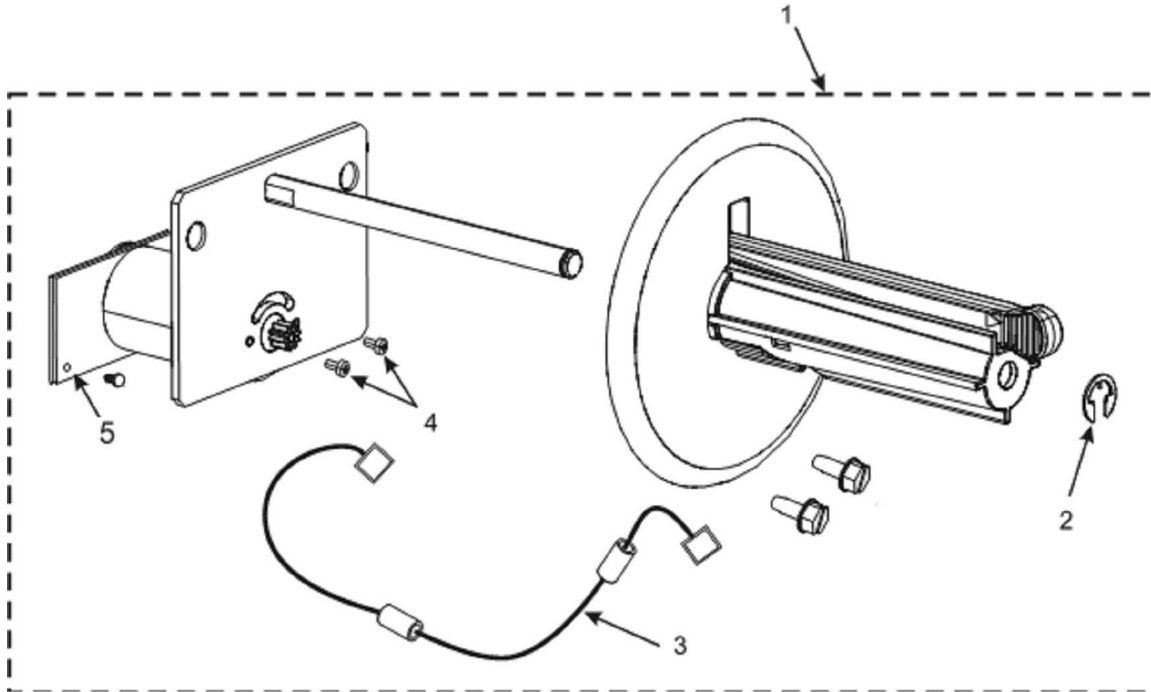
Peel Unit



Item Number	Description	Part Number	Kit Quantity
1	Kit Peel Unit Z4M+	G78002M	1
1	Kit Peel Unit Z6M+	G78012M	1
2	Screw M3 x 8 Flng So S Bo	HW77231	25
3	Kit Peel Unit Pinch Roller Z4M+ & ZM400 & S4M	77197M	1
3	Kit Peel Unit Pinch Roller Z6M+ & ZM600	77727M	1

ZxMPlus Series Parts Catalog

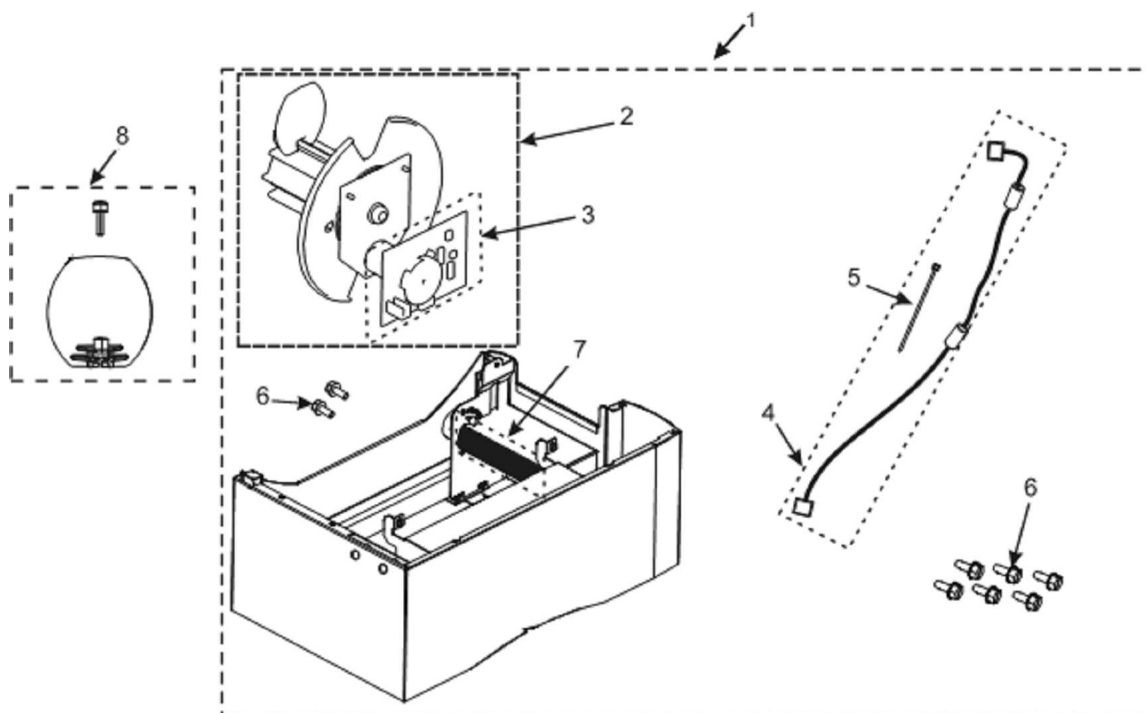
Liner Take Up



Item Number	Description	Part Number	Kit Quantity
1	Kit Liner Take-Up Z4M+	G79027M	1
2	E Ring Ext .375 Yel, Qty of 25	HW06313	25
3	Kit Media Rewind Cable	G77648M	1
4	Screw, M3 x 0.500 x 6mm, Qty of 25	HW43968	25
5	Kit Liner Take Up Motor Z4M+ & ZM400	G34112M	1

ZxMPlus Series Parts Catalog

Media Rewind



Item Number	Description	Part Number	Kit Quantity
1	Kit Upgrade Media Rewind with Peel Unit included Z4M+	G78205	1
1	Kit Upgrade Media Rewind with Peel Unit included Z6M+	G78205-6	1
2	Kit Media Rewind Spindle and Motor Z4M+ & ZM400	G79026M	1
2	Kit Media Rewind Spindle and Motor Z6M+ & ZM600	G79026-6M	1
3	Kit Media Rewind Motor & PCB Z4Mplus & ZM400	G34110M	1
3	Kit Media Rewind Motor & PCB Z6M+ & ZM600	G34111M	1
4	Kit Media Rewind Cable ZxM+ Series	G77648M	1
5	Cable Tie (Quantity of 20)	HWQ06020	20
6	Screw M4 x 0.7 x 10, Qty of 5	HW78814	5
7	Kit Steer Roller Z6M+ & ZM600	G77168M	1
7	Kit Steer Roller, Z4M+ & ZM400	G77167M	1
8	Kit Media Rewind Outer Guards ZxM+ & ZMx00	77459M	1

Packing Materials for Printer Shipping

Item Number	Description	Part Number	Kit Quantity
	Packing Materials Qty of 1 Z4M+ & ZM400	77128PM	1
	Packing Materials, Bulk Qty of 10 Z4M+ & ZM400	77128PBM	10
	Packing Materials Quantity of 1 Z6M+ & ZM600	77129PM	1
	Packing Materials, Bulk Qty of 10 Z6M+ & ZM600	G77129PBM	10
	Packing Materials for Media Rewind versions of Z4M+ & ZM400	G77932PM	1
	Packing Materials, Bulk Qty of 10 Media Rewind versions Z4M+ & ZM400	G77932PBM	10
	Packing Materials for Media Rewind versions of Z6M+ & ZM600	G77933PM	1
	Packing Materials Qty of 10 Media Rewind Z6M+ & ZM600	G77933PBM	10

**ZxMPlus Series Parts Catalog****Hardware**

Item Number	Description	Part Number	Kit Quantity
	E Ring Ext .375 Yel, Qty of 25	HW06313	25
	Screw 4-40 x .31, Qty of 25	HW78802	25
	Clamp Cable Flat 1x 1 Nylon, Qty of 25	HW07808	25
	Retention E Ring 3mm Blk, Qty of 25	HW10094	25
	Washer Fl .500 x .191 x .030	HW33805	25
	Washer .500 x .377 x .020, Qty of 25	HW33808	25
	Ferrite Ring 1.1 X .75, Qty of 10	HW34538	10
	Spring Comp MS Taiwan Post Qty of 5	HW45423	5
	Thin Jam Nut 3/8-24, Qty of 25	HW47005	25
	Screw M3 x 8 Flng So S Bo, Qty of 25	HW77231	25
	Thumb-Nut, PCMCIA Board Mount, QTY OF 10	HW77315	10