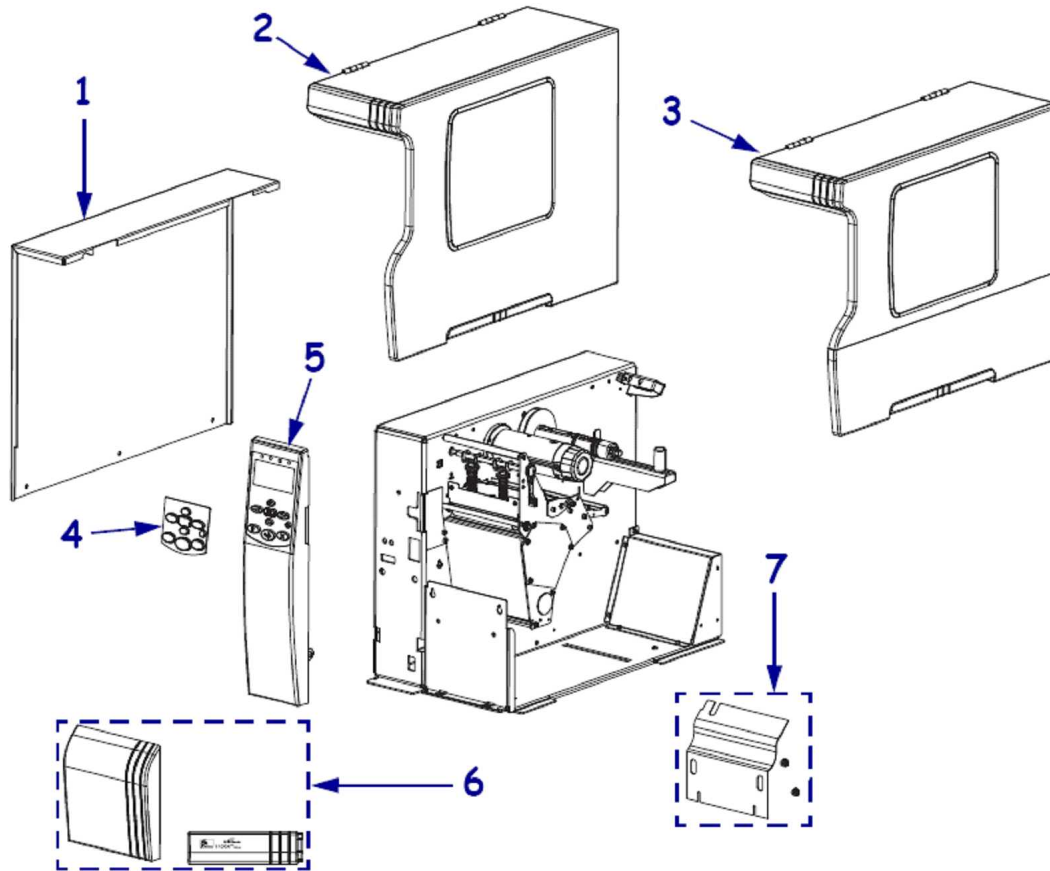




i

Xi4 Series Parts Catalog

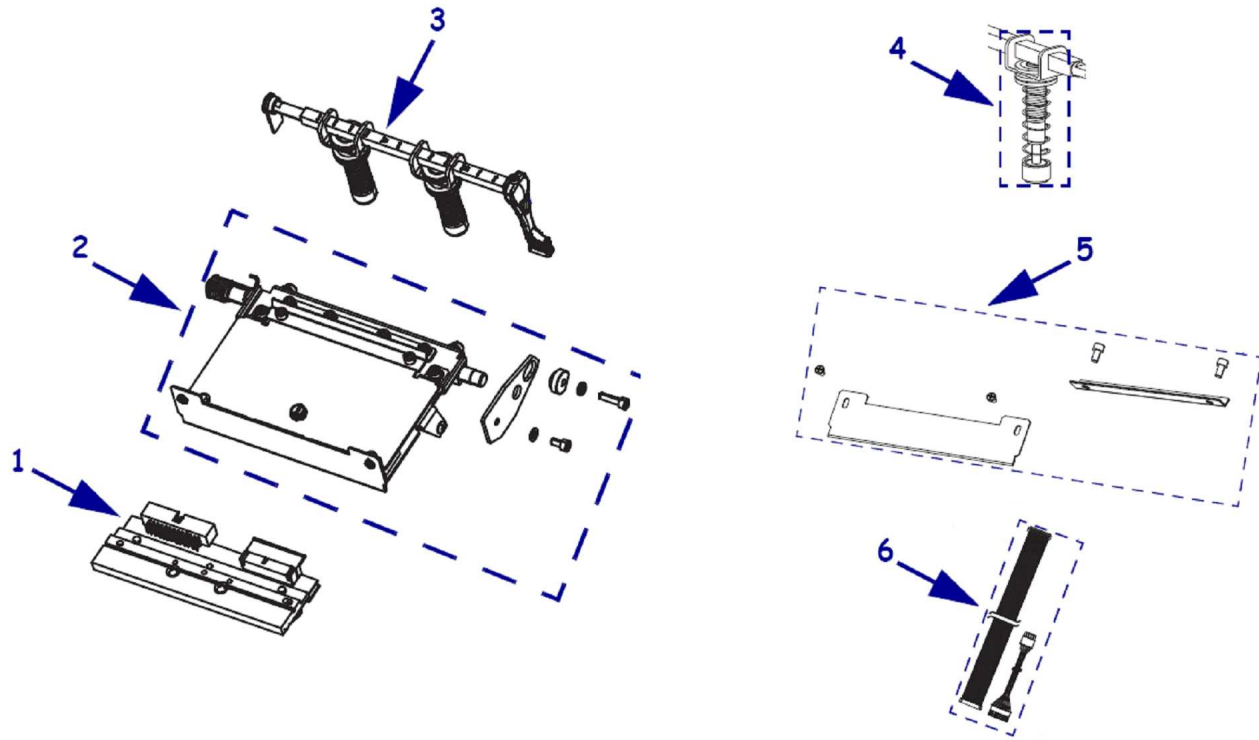
Outer Casing Components



Item Number	Description	Part Number	Kit Quantity
1	Kit Xi4 Series Electronics Cover	P1006034	1
2	Kit 110Xi4 Media Cover Standard Door	P1006036	1
2	Kit 140Xi4 Media Cover Standard Door	P1006037	1
2	Kit 170Xi4 Media Cover Standard Door	P1006038	1
2	Kit 220Xi4 Media Cover Standard Door	P1006039	1
3	Kit 110Xi4 Media Cover Bi-Fold Door	P1006041	1
3	Kit 140Xi4 Media Cover Bi-Fold Door	P1006042	1
3	Kit 170Xi4 Media Cover Bi-Fold Door	P1006044	1
3	Kit 220Xi4 Media Cover Bi-Fold Door	P1006045	1
4	Kit Xi4 Series Covers for the Control Panel (3 pack)	P1007546	3
5	Kit Xi4 Series Control Panel	P1006033	1
6	Kit 110Xi4 Trim Panel and Nameplates (203 & 300 & 600 dpi)	P1006046	1
6	Kit 140Xi4 Trim Panel and Nameplate (203 dpi)	P1006047	1
6	Kit 170Xi4 Trim Panel and Nameplates (203 & 300 dpi)	P1006048	1
6	Kit 220Xi4 Trim Panel and Nameplates (203 & 300 dpi)	P1006050	1
7	Kit 110Xi4 Front Plate for Tear models	P1006051	1
7	Kit 140Xi4 Front Plate for Tear models	P1006052	1
7	Kit 170Xi4 Front Plate for Tear models	P1006053	1
7	Kit 220Xi4 Front Plate for Tear models	P1006055	1
	Kit Xi4 Series Media Window for Standard Door	P1006035	1
	Kit Xi4 Series Media Window for BiFold Door	P1006522	1
	Kit 220Xi4 Damper Replacement for Media Door	P1006056	1

Xi4 Series Parts Catalog

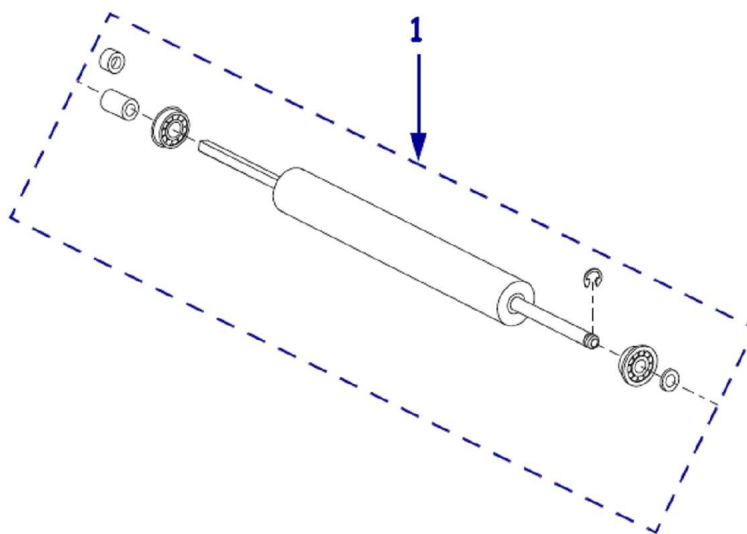
Print Mechanism Components



Item Number	Description	Part Number	Kit Quantity
1	Kit 110Xi4 Printhead 203 dpi	P1004230	1
1	Kit 110Xi4 Printhead 300 dpi	P1004232	1
1	Kit 110Xi4 Printhead 600 dpi	P1004233	1
1	Kit 140Xi4 Printhead 203 dpi	P1004234	1
1	Kit 170Xi4 Printhead 203 dpi	P1004236	1
1	Kit 170Xi4 Printhead 300 dpi	P1004237	1
1	Kit 220Xi4 Printhead 203 dpi	P1004238	1
1	Kit 220Xi4 Printhead 300 dpi	P1004239	1
2	Kit 110Xi4 Print Mechanism Hardware	P1006146	1
2	Kit 140Xi4 Print Mechanism Hardware	P1006151	1
2	Kit 170Xi4 Print Mechanism Hardware	P1006152	1
2	Kit 220Xi4 Print Mechanism Hardware	P1006154	1
3	Kit 110Xi4 Pivot Bar & Toggle Assemblies	G41022M	1
3	Kit 140Xi4 Pivot Bar & Toggle Assemblies	G48202M	1
3	Kit 170Xi4 Pivot Bar & Toggle Assemblies	38202M	1
3	Kit 220Xi4 Pivot Bar & Toggle Assemblies	G22222M	1
4	Kit 110, 140, 170Xi4 Toggle Assembly Only	35099M	1
4	Kit 220Xi4 Toggle Assembly Only	22099M	1
5	Kit 110Xi4 Ribbon Strip Plate and Ribbon Static Brush	P1006095	1
5	Kit 140Xi4 Ribbon Strip Plate and Ribbon Static Brush	P1006096	1
5	Kit 170Xi4 Ribbon Strip Plate and Ribbon Static Brush	P1006097	1
5	Kit 220Xi4 Ribbon Strip Plate and Ribbon Static Brush	P1006098	1
6	Kit Xi4 Series Cables for Printhead (power, data, ground)	P1006140	1

Xi4 Series Parts Catalog

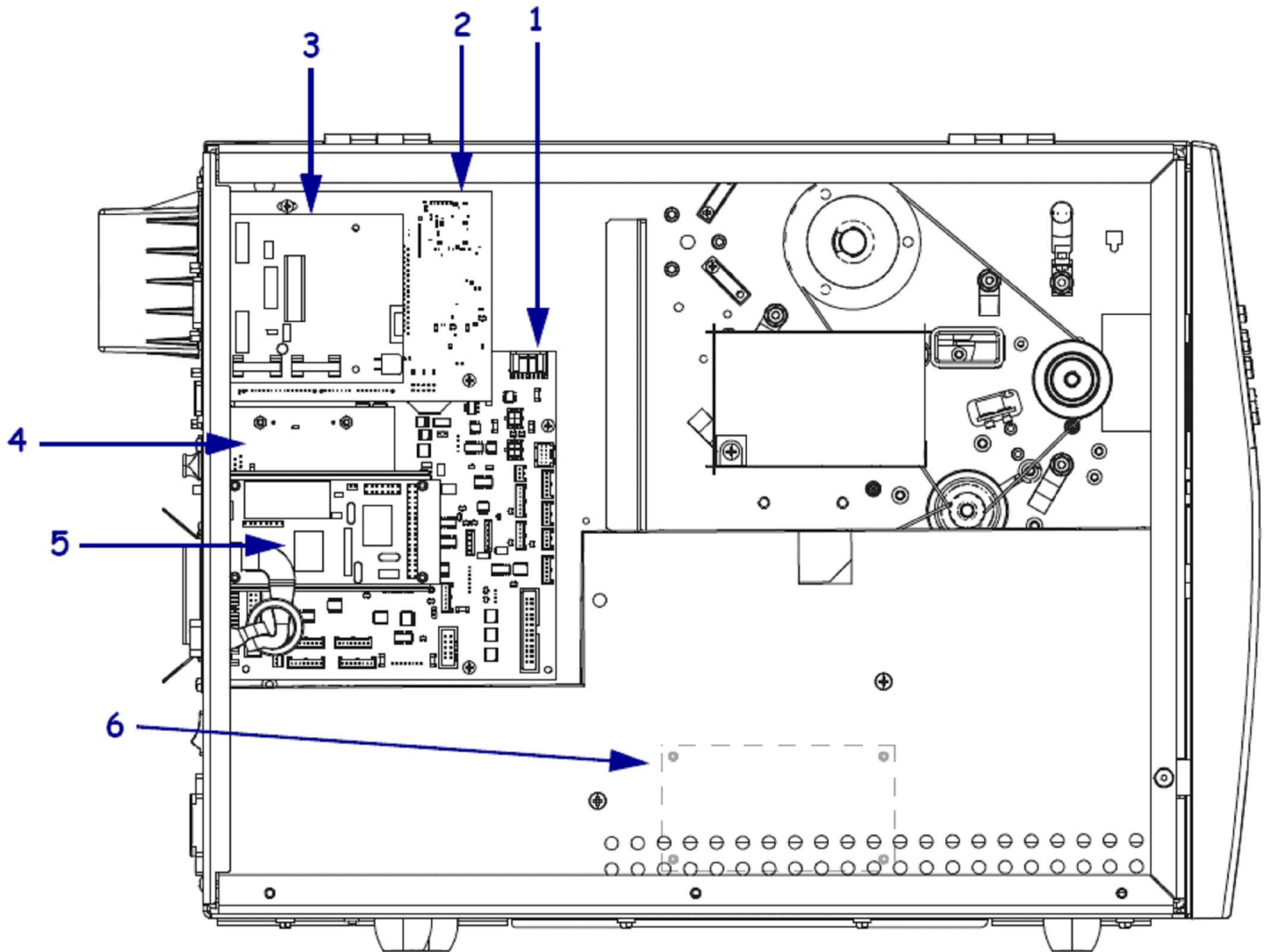
Platen Rollers



Item Number	Description	Part Number	Kit Quantity
1	Kit 110Xi4 Platen Roller 203 dpi & 300 dpi	G41011M	1
1	Kit 110Xi4 Platen Roller 600 dpi	P1004592	1
1	Kit 140Xi4 Platen Roller 203 dpi	G40038M	1
1	Kit 170Xi4 Platen Roller 203 dpi & 300 dpi	G46278M	1
1	Kit 220Xi4 Platen Roller 203 dpi and 300 dpi	G22101M	1

Xi4 Series Parts Catalog

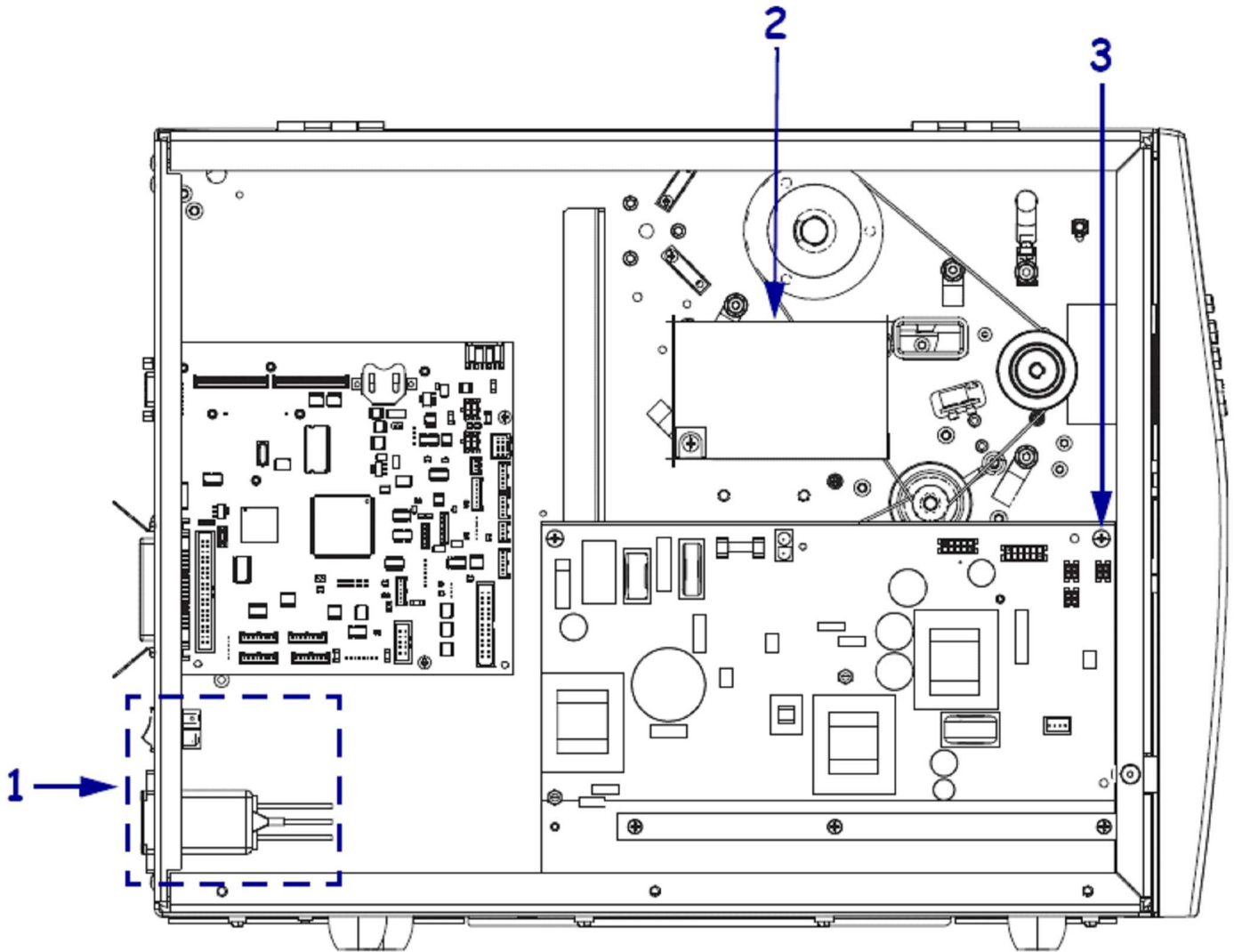
Xi4 Series Common Electronic Components



Item Number	Description	Part Number	Kit Quantity
1	Kit Xi4 Series Main Logic Board 8MB	P1004273	1
1	Kit Xi4 Series Main Logic Board 64MB	P1004274	1
2	Kit Xi4 Series Wireless Plus Board (requires separate radio card to enable wireless functionality--not included)	P1009634	1
3	Kit Xi4 Series Applicator Interface 5V	P1007561	1
3	Kit Xi4 Series Applicator Interface 24-28V	P1011156	1
4	Kit Xi4 Series IPv4 Internal Print Server IPv4	79823	1
4	Kit Xi4 Series IPv6 Internal Print Server IPv6	P1007564	1
5	Kit Xi4 Series Twinax Option	P1007562	1
5	Kit Xi4 Series Coax Option	P1007563	1
6	Kit Xi4 Series PCB for Cutter Option	P1006160	1
	Kit Xi4 Series Electronics Cables (various power and data cables for electronics)	P1006156	1

Xi4 Series Parts Catalog

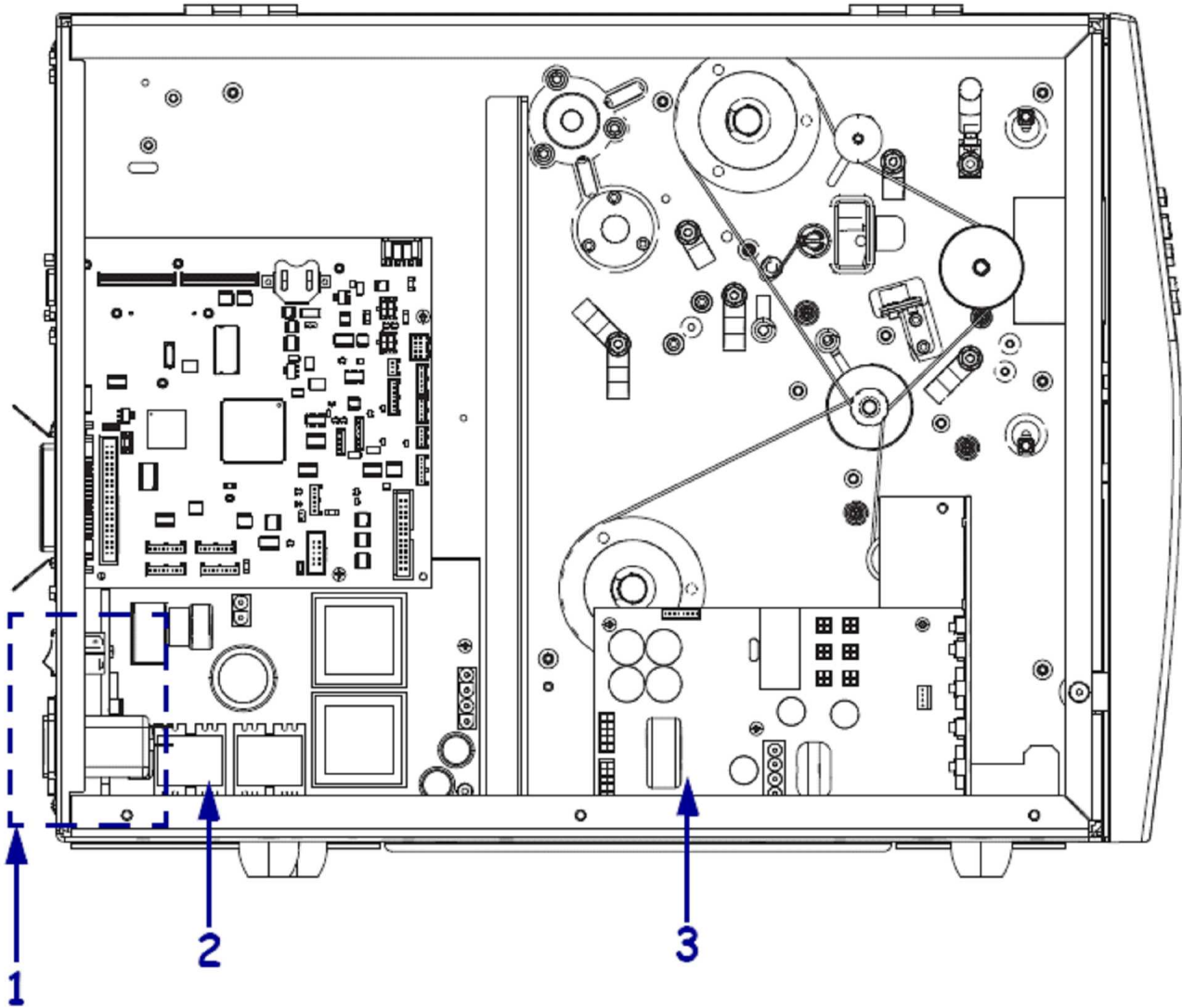
110Xi4 Specific Electronics



Item Number	Description	Part Number	Kit Quantity
1	Kit 110Xi4 Power Entry Module and Power Switch	P1007559	1
2	Kit 110Xi4 Test Board for Printhead Element Detection	P1006158	1
3	Kit 110Xi4 Power Supply	P1007556	1

Xi4 Series Parts Catalog

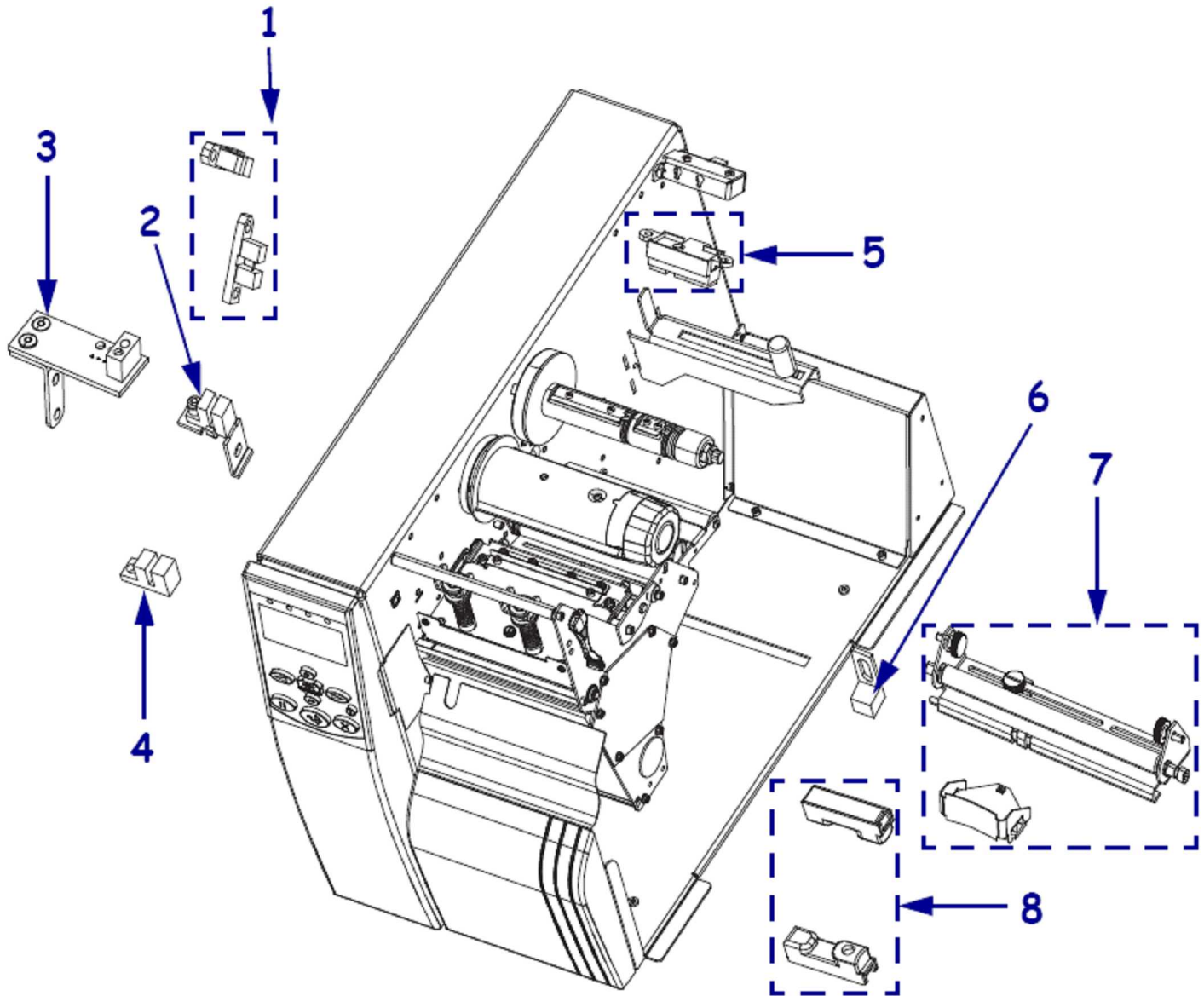
140, 170 & 220Xi4 Specific Electronics



Item Number	Description	Part Number	Kit Quantity
1	Kit 140, 170 & 220Xi4 Power Entry Module and Power Switch	P1007560	1
2	Kit 140, 170 & 220Xi4 AC Power Supply	P1007557	1
3	Kit 140, 170 & 220Xi4 DC Power Supply	P1007558	1

Xi4 Series Parts Catalog

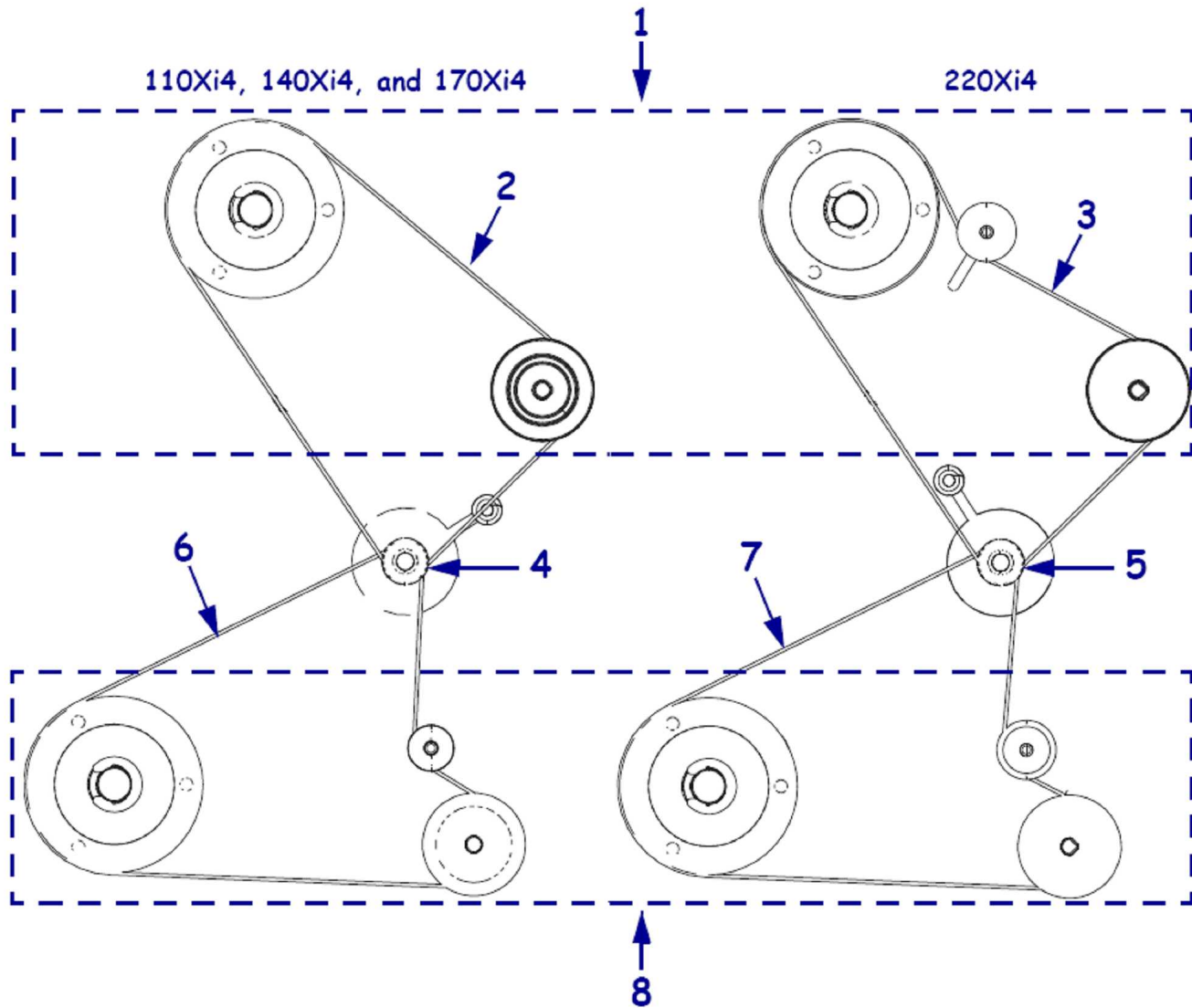
Sensors



Item Number	Description	Part Number	Kit Quantity
1	Kit Xi4 Series Ribbon Low Sensor	P1006139	1
2	Kit Xi4 Series Printhead Open Sensor	P1006137	1
3	Kit Xi4 Series Reflective Sensor (Black Mark)	P1006135	1
4	Kit Xi4 Series Cutter Sensor	G46618M	1
5	Kit Xi4 Series Media Low Sensor	P1006138	1
6	Kit Xi4 Series Ribbon Out Sensor	P1006134	1
7	Kit 110Xi4 Media Sensor	P1006029	1
7	Kit 140Xi4 Media Sensor	P1006030	1
7	Kit 170Xi4 Media Sensor	P1006031	1
7	Kit 220Xi4 Media Sensor	P1006032	1
8	Kit Xi4 Series Take Label Sensor	P1006136	1
	Kit Xi4 Series Flag for Head Open Sensor	G46352M	1

Xi4 Series Parts Catalog

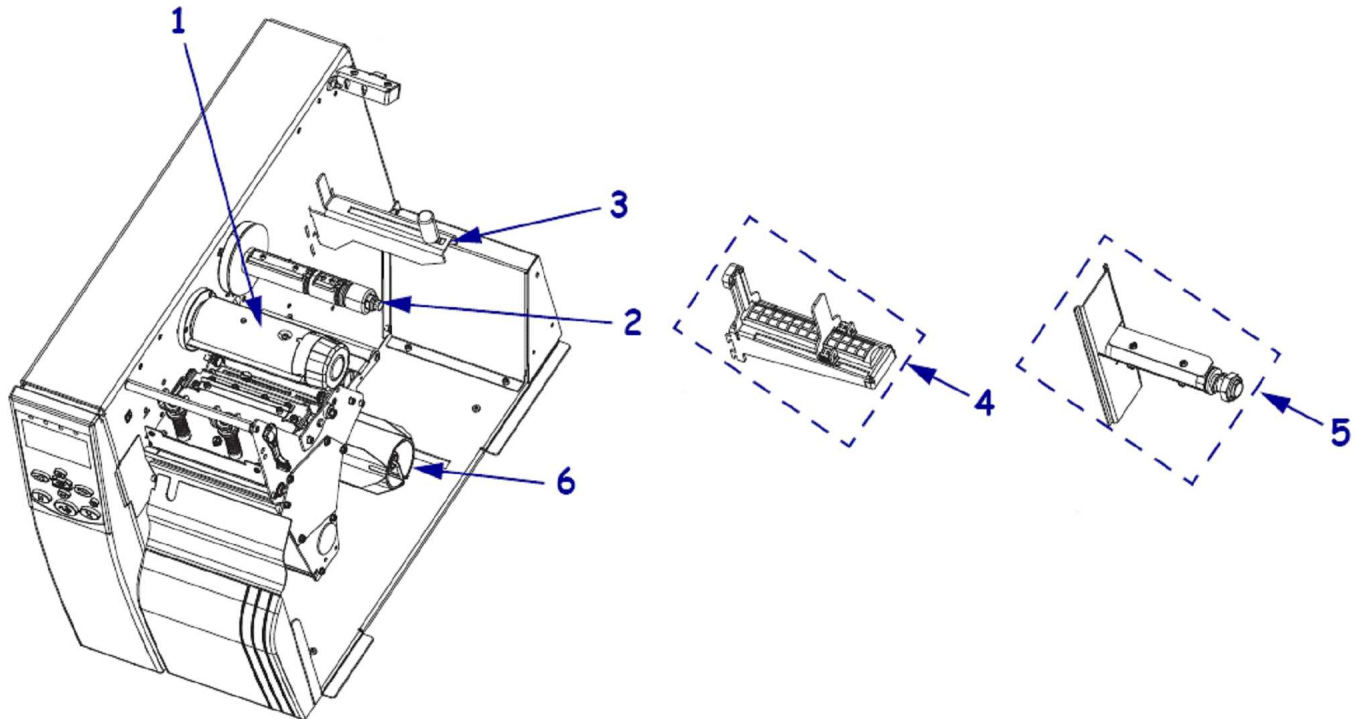
Drive System Components



Item Number	Description	Part Number	Kit Quantity
1	Kit Xi4 Series Main Drive System (includes pulleys and belts for all dpi)	P1006069	1
2	Kit Main Drive Belt for 110Xi4 (203 & 300 dpi), 140Xi4 (203 dpi), 170Xi4 (203 & 300 dpi)	P1006066	1
2	Kit 110Xi4 Main Drive Belt for 600 dpi	P1006067	1
3	Kit 220Xi4 Main Drive Belt for 203 dpi	P1006066	1
3	Kit 220Xi4 Main Drive Belt for 300 dpi	P1006068	1
4	Kit Drive Motor with Pulley 110Xi4 (203 dpi), 140Xi4 (203 dpi), 170Xi4 (203 dpi)	G46198M	1
4	Kit Drive Motor with Pulley 110Xi4 (300 dpi) and 170Xi4 (300 dpi)	G46199M	1
4	Kit 110Xi4 Drive Motor with Pulley for 600 dpi	G33087-6M	1
5	Kit 220Xi4 Drive Motor with Pulley for 203 dpi	G31197M	1
5	Kit 220Xi4 Drive Motor with Pulley for 300 dpi	G31199M	1
6	Kit Rewind Drive Belt for 110Xi4 (203 & 300 dpi), 140Xi4 (203 dpi), 170Xi4 (203 & 300 dpi)	P1006072	1
6	Kit Rewind Drive Belt for 110Xi4 600 dpi	P1006073	1
7	Kit Rewind Drive Belt for 220Xi4 (203 & 300 dpi)	P1006072	1
8	Kit Xi4 Series Rewind Drive System (includes pulleys and drive belts for all dpi)	P1006071	1

Xi4 Series Parts Catalog

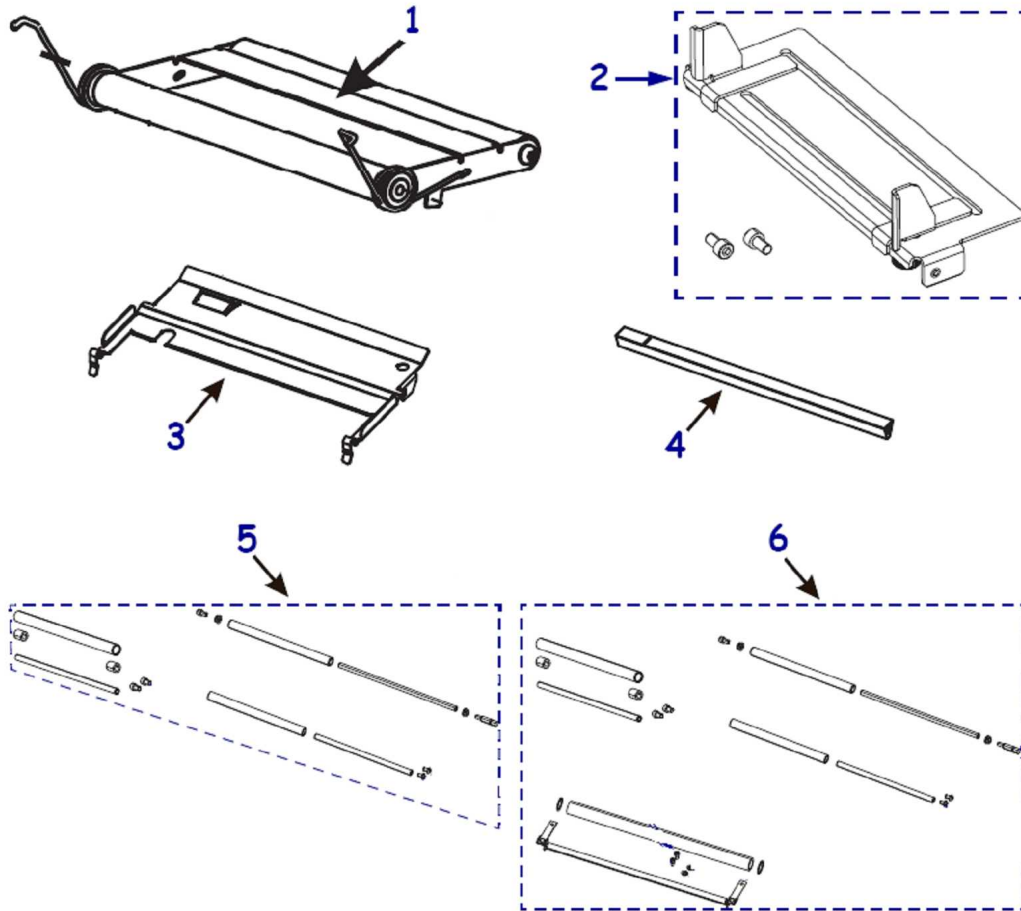
Media and Ribbon Spindles



Item Number	Description	Part Number	Kit Quantity
1	Kit 110Xi4 Ribbon Take Up Spindle	G41150M	1
1	Kit 140Xi4 Ribbon Take Up Spindle	G48250	1
1	Kit 170Xi4 Ribbon Take Up Spindle	G46350	1
1	Kit 220Xi4 Ribbon Take Up Spindle	G22250	1
2	Kit 110Xi4 Ribbon Supply Spindle	P1006058	1
2	Kit 140Xi4 Ribbon Supply Spindle	P1006059	1
2	Kit 170Xi4 Ribbon Supply Spindle	P1006061	1
2	Kit 220Xi4 Ribbon Supply Spindle	P1006062	1
	Kit Xi4 Series Hardware for the Ribbon Supply Spindle (includes blades, springs, spring housing, nut)	P1006063	1
3	Kit 110Xi4 Media Supply Hanger (203 & 300 dpi)	P1006064	1
4	Kit 140Xi4 Media Supply Hanger	G48153-4M	1
4	Kit 170Xi4 Media Supply Hanger	G46153M	1
4	Kit 220Xi4 Media Supply Hanger	G22153M	1
5	Kit 110Xi4 Media Supply Spindle 3 inch ID Media Core	G41253M	1
5	Kit 110Xi4 Media Supply Spindle 40mm ID Media Core	G41254M	1
5	Kit 140Xi4 Media Supply Spindle 3 inch ID Media Core	G48253M	1
5	Kit 140Xi4 Media Supply Spindle 40mm ID Media Core	G48044M	1
5	Kit 170Xi4 Media Supply Spindle 3 inch ID Media Core	G46253M	1
5	Kit 170Xi4 Media Supply Spindle 40mm ID Media Core	G46044M	1
5	Kit 220Xi4 Media Supply Spindle 3 inch ID Media Core	G22253M	1
6	Kit 110Xi4 Media Rewind Spindle Replacement	G41155M	1
6	Kit 140Xi4 Media Rewind Spindle Replacement	G48155M	1
6	Kit 170Xi4 Media Rewind Spindle Replacement	G46249M	1
6	Kit 220Xi4 Media Rewind Spindle Replacement	G22155M	1

Xi4 Series Parts Catalog

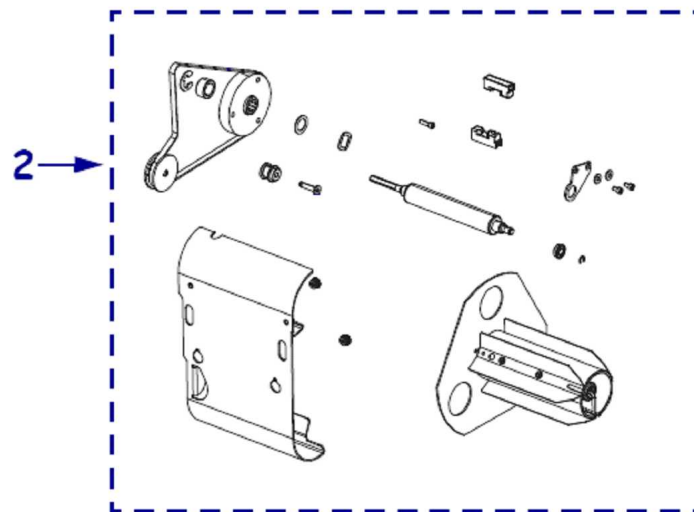
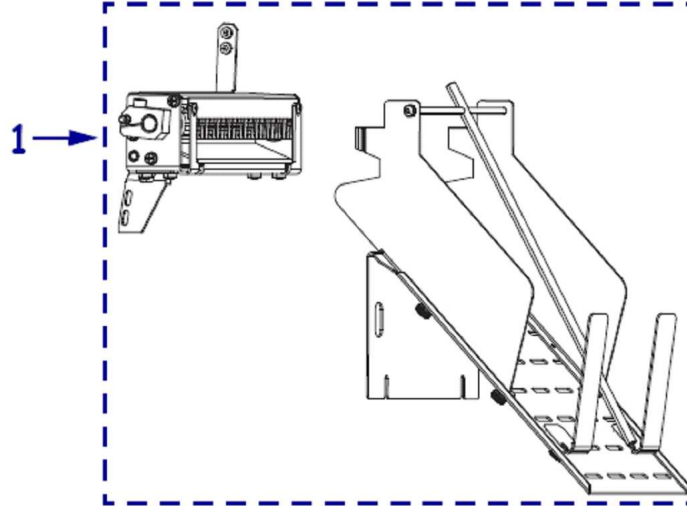
Dancers -- Media Guides -- Ribbon Rollers



Item Number	Description	Part Number	Kit Quantity
1	Kit 110Xi4 Dancer Assembly	41691M	1
1	Kit 140Xi4 Dancer Assembly	46691-2M	1
1	Kit 170Xi4 Dancer Assembly	46691-3M	1
1	Kit 220Xi4 Dancer Assembly	22391M	1
2	Kit 110Xi4 Media Guide	P1006106	1
2	Kit 140Xi4 Media Guide	P1006107	1
2	Kit 170Xi4 Media Guide	P1006108	1
2	Kit 220Xi4 Media Guide	P1006109	1
3	Kit 110Xi4 Snap Plate (Media Guide Plate)	P1006111	1
3	Kit 140Xi4 Snap Plate (Media Guide Plate)	P1006112	1
3	Kit 170Xi4 Snap Plate (Media Guide Plate)	P1006113	1
3	Kit 220Xi4 Snap Plate (Media Guide Plate)	P1006114	1
4	Kit 110Xi4 Peel Tear Bar	P1006115	1
4	Kit 140Xi4 Peel Tear Bar	P1006116	1
4	Kit 170Xi4 Peel Tear Bar	P1006117	1
4	Kit 220Xi4 Peel Tear Bar	P1006118	1
5	Kit 110Xi4 Ribbon Rollers	P1006099	1
5	Kit 140Xi4 Ribbon Rollers	P1006101	1
6	Kit 170Xi4 Ribbon Rollers	P1006103	1
6	Kit 220Xi4 Ribbon Rollers	P1006104	1

Xi4 Series Parts Catalog

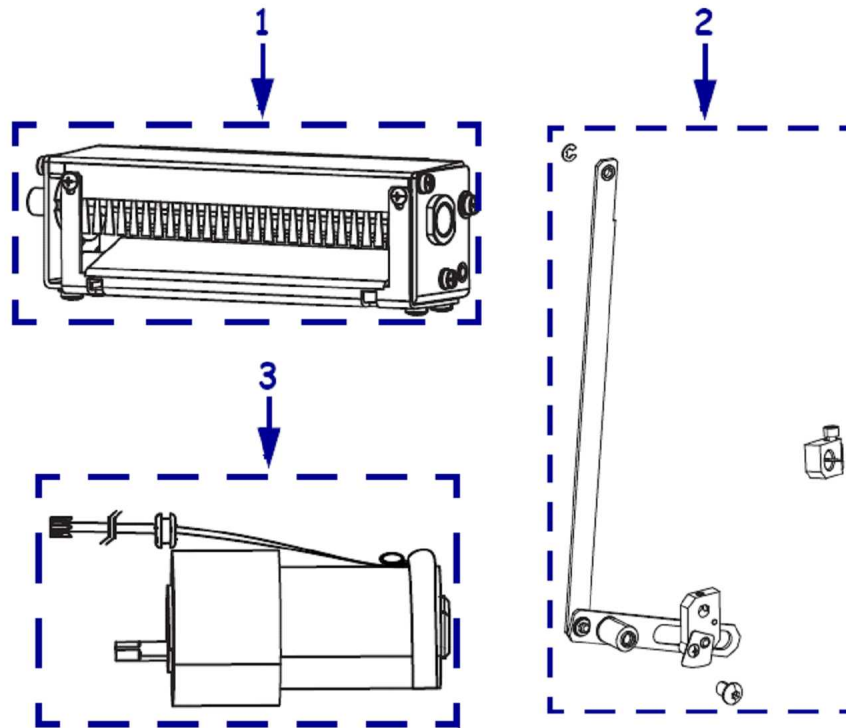
Media Handling Options



Item Number	Description	Part Number	Kit Quantity
1	Kit 110Xi4 Cutter Option	P1006075	1
1	Kit 140Xi4 Cutter Option	P1006077	1
1	Kit 170Xi4 Cutter Option	P1006078	1
1	Kit 220Xi4 Cutter Option	P1006079	1
2	Kit 110Xi4 Media Rewind Option for 203 & 300 dpi	P1008479	1
2	Kit 110Xi4 Media Rewind Option for 600 dpi	P1008480	1
2	Kit 140Xi4 Media Rewind Option for 203 dpi	P1008481	1
2	Kit 170Xi4 Media Rewind Option for 203 & 300 dpi	P1008482	1
2	Kit 220Xi4 Media Rewind Option for 203 and 300 dpi	P1008483	1

Xi4 Series Parts Catalog

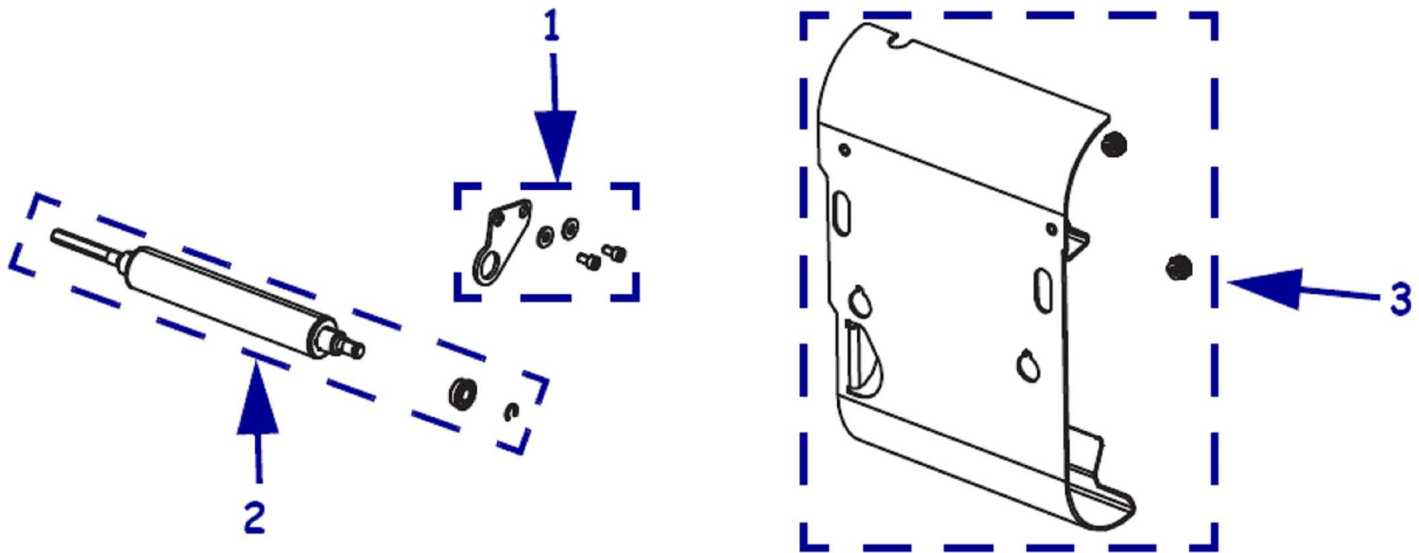
Cutter Replacement Components



Item Number	Description	Part Number	Kit Quantity
1	Kit 110Xi4 Cutter Module	P1006082	1
1	Kit 140Xi4 Cutter Module	P1006083	1
1	Kit 170Xi4 Cutter Module	P1006084	1
1	Kit 220Xi4 Cutter Module	P1006085	1
2	Kit Xi4 Series Drive Linkage for Cutter Option	P1006081	1
3	Kit Xi4 Series Drive Motor for Cutter Option	G30374M	1
	Kit Xi4 Series PCB for Cutter Option	P1006160	1
	Kit Xi4 Series Sensor for Cutter Option	G46618M	1
	Kit 110Xi4 Tray for Cutter	G41387M	1
	Kit 140Xi4 Tray for Cutter	G48459	1
	Kit 170Xi4 Tray for Cutter	G46459	1
	Kit 220Xi4 Tray for Cutter	G22459	1
	Kit 110Xi4 Static Brush for Cutter	P1006086	1
	Kit 140Xi4 Static Brush for Cutter	P1006088	1
	Kit 170Xi4 Static Brush for Cutter	P1006089	1
	Kit 220Xi4 Static Brush for Cutter	P1006090	1
	Kit 110Xi4 Mounting Brackets for the Cutter	P1006091	1
	Kit 140Xi4 Mounting Brackets for the Cutter	P1006092	1
	Kit 170Xi4 Mounting Brackets for the Cutter	P1006093	1
	Kit 220Xi4 Mounting Brackets for the Cutter	P1006094	1

Xi4 Series Parts Catalog

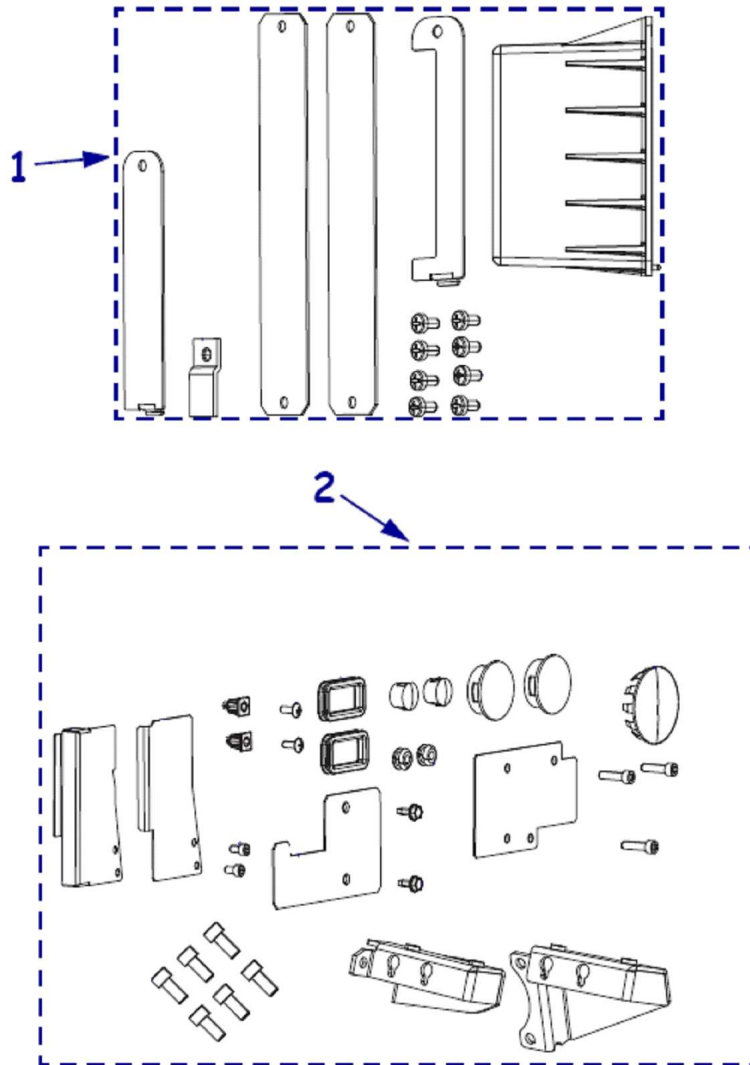
Media Rewind Replacement Components



Item Number	Description	Part Number	Kit Quantity
1	Kit Xi4 Series Rewind Roller Adjustment Plate	P1006105	1
2	Kit 110Xi4 Rewind Roller 203 dpi & 300 dpi	G41011M	1
2	Kit 110Xi4 Rewind Roller 600 dpi	P1004592	1
2	Kit 140Xi4 Rewind Roller 203 dpi	G40038M	1
2	Kit 170Xi4 Rewind Roller 203 dpi & 300 dpi	G46278M	1
2	Kit 220Xi4 Rewind Roller 203 dpi and 300 dpi	G22101M	1
3	Kit 110Xi4 Media Rewind Plate	G41383M	1
3	Kit 140Xi4 Media Rewind Plate to be used with Tear/Peel option	G48383M	1
3	Kit 140Xi4 Media Rewind Plate to be used with Cutter option	G40382RM	1
3	Kit 170Xi4 Media Rewind Plate to be used with Tear/Peel option	G46383M	1
3	Kit 170Xi4 Media Rewind Plate to be used with Cutter option	G46382M	1
3	Kit 220Xi4 Media Rewind Plate to be used with Tear/Peel option	G22383M	1
3	Kit 220Xi4 Media Rewind Plate to be used with Cutter option	G22382M	1
	Kit 110Xi4 J Hook (2 pack)	P1006121	2
	Kit 140Xi4 J Hook (2 pack)	P1006122	2
	Kit 170Xi4 J Hook (2 pack)	P1006123	2
	Kit 220Xi4 J Hook (2 pack)	P1006124	2

Xi4 Series Parts Catalog

Covers for Option & Access Holes



Item Number	Description	Part Number	Kit Quantity
1	Kit Xi4 Series Slot covers for electronic options	P1006120	1
2	Kit Xi4 Series Covers for option holes, access holes and sensor brackets	P1006119	1

Packing Materials for Printer Shipping

Item Number	Description	Part Number	Kit Quantity
	Kit 110Xi4 Packaging Material Qty of 1	P1006125	1
	Kit 110Xi4 Packaging Material Qty of 8	P1006126	8
	Kit 140Xi4 Packaging Material Qty of 1	P1006127	1
	Kit 140Xi4 Packaging Material Qty of 8	P1006128	8
	Kit 170Xi4 Packaging Material Qty of 1	P1006129	1
	Kit 170Xi4 Packaging Material Qty of 8	P1006130	8
	Kit 220Xi4 Packaging Material Qty of 1	P1006131	1
	Kit 220Xi4 Packaging Material Qty of 8	P1006133	8



Xi4 Series Parts Catalog

Hardware

Description	Part Number	Kit Quantity
Cable Clamp 0.312 dia, Qty. of 25	HW01117	25
Cable Clamp 0.500 dia, Qty of 25	HW06222	25
Nut 6-32, Qty of 25	HW33809	25
Round Bumper Foot Qty of 25	HW33844	25
Nut 4-40 R S Zn Hx Elwash, Qty of 25	HW33823	25
Crescent Ring Ext .250 Yel, Qty of 100	HW33810	100
Screw 4-40 x .31, Qty of 25	HW78802	25
Screw M4 x .7 x 5 Pn Ph Blk, Qty of 25	HW33826	25
Bearing .500 x .252 x .250, Qty of 10	HW30198	10
Bearing .375 x .189 x .125, Qty of 25	HW30199	25
Washer Flt .564 x .384 x .060, Qty of 10	HW33806	10
Screw 4-40 x .25 Tr Ph S, Qty of 25	HW32332	25
Stop Head Lift Spring, Qty of 10	HW30266	10
Washer .32 x .119 x .062 Neo Bl, Qty of 25	HW30494	25
Plug Hole, Qty of 25	HW30826	25
Washer Flt .207 x .146 x .030, Qty of 10	HW30956	10
Washer .50 x .25 x .031, Qty of 25	HW43974	25
Rubber Grommet 1.25 x .62 x .105, Qty of 10	HW46091	10
Hole Plug, Qty of 25	HW46267	25
Scrw 10-32 .312 Cp So H Bo, Qty of 25	HW30394-005	25
Screw 1/4 x 20 x .38 Bu So H Bo, Qty of 25	HW30405-006	25
Screw 4-40 x .375, Qty of 25	HW30406-006	25
Screw 6-32 x 0.5, Qty of 25	HW30407-008	25
Screw 6-32 0.37, Qty of 25	HW32413-006	25
Screw 6-32 x .750, Qty of 25	HW32413-012	25
Screw 4-40 3/16, Qty of 100	HW46882-003	100
FUSE 5.00 SB 250V 3A, Qty of 25	HW49616-5.0	25
Screw M4 x .7 x 10, Qty of 100	HWQ10011	100
Ring E Ext .250, Qty of 100	HWQ10019	100
Screw, 6-32 .125, Qty of 25	HW33828	25
Screw, 8-32 .250, Qty of 25	HW33812-004	25
Plate Washer, Qty of 10	HW32352	10
Cvd Washer .344 x .172 x .006, Qty of 25	HW40194	25
Head Open Flag, set of 50	HW46352	50