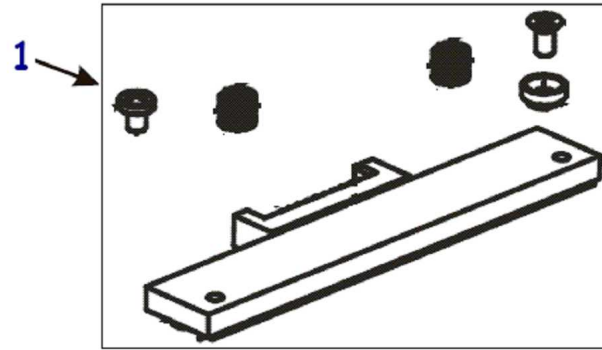




i

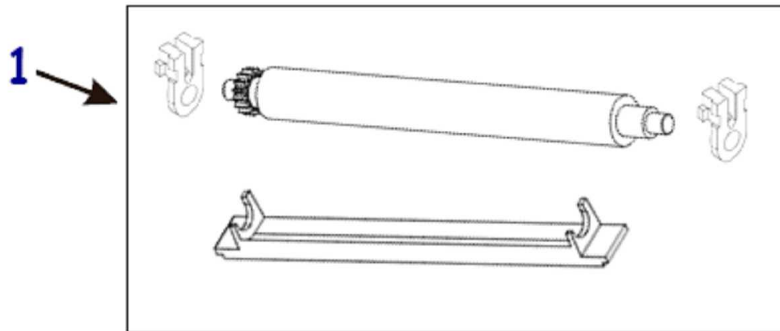
TTP2000 Parts Catalog

Printhead



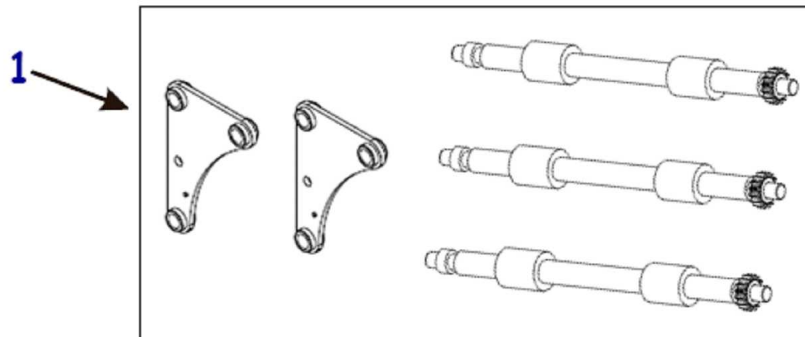
Item Number	Description	Part Number	Kit Quantity
1	Kit Printhead TTP2000	P1014112	1
	Kit Cable for Printhead TTP2000 (Qty of 3)	P1014115	3

Platen Roller



Item Number	Description	Part Number	Kit Quantity
1	Kit Platen Roller TTP2000 (Qty of 3)	P1014116	3

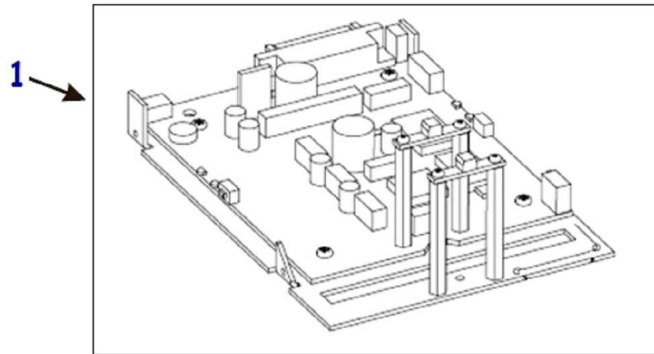
Feed Rollers



Item Number	Description	Part Number	Kit Quantity
1	Kit Feed Rollers TTP2000 (Qty of 3)	P1014118	3

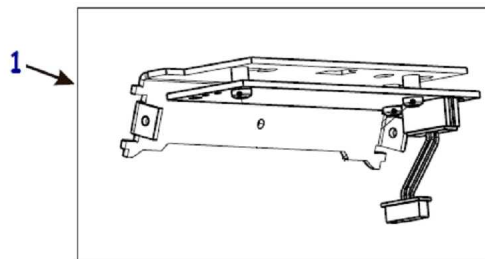
TTP2000 Parts Catalog

Main Logic Board



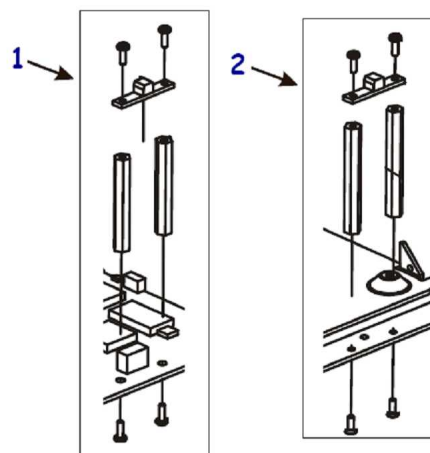
Item Number	Description	Part Number	Kit Quantity
1	Kit Main Logic Board TTP2010 (Serial)	P1014130	1
1	Kit Main Logic Board TTP2020 (Parallel)	P1014131	1
1	Kit Main Logic Board TTP2030 (USB)	P1014132	1

Media Sensor



Item Number	Description	Part Number	Kit Quantity
1	Kit Media Sensor Board TTP2000 (black mark sensor)	P1014139	1

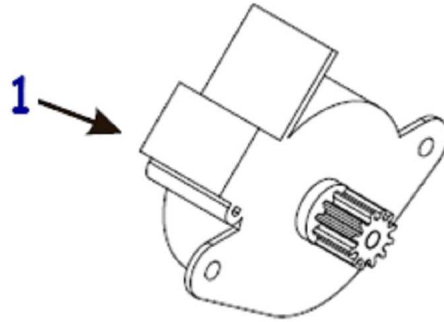
Presenter and Retract Sensors



Item Number	Description	Part Number	Kit Quantity
1	Kit Presenter Media Sensor TTP2000 (Qty of 2) Use all parts included in kit to replace sensor and spacers simultaneously as a complete set	P1014140	2
2	Kit Retract Media Sensor TTP2000 (Qty of 2) Use all parts included in kit to replace sensor and spacers simultaneously as a complete set	P1014141	2

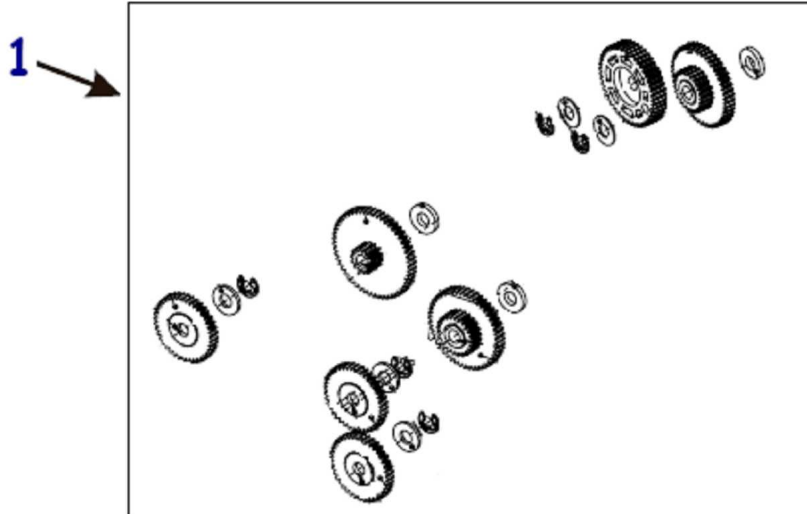
TTP2000 Parts Catalog

Drive Motors



Item Number	Description	Part Number	Kit Quantity
1	Kit Drive Motors TTP2000 (Qty of 3)	P1014134	3

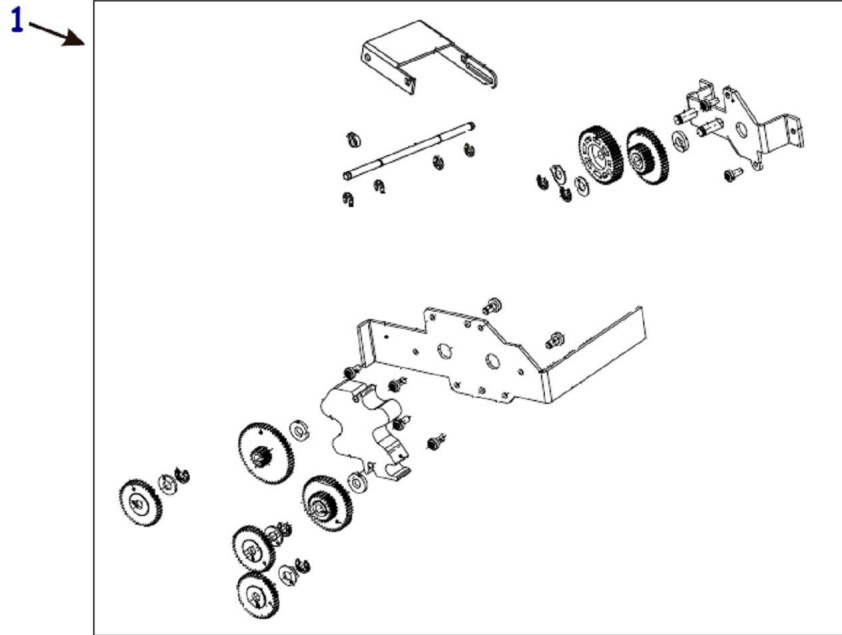
Drive Gears



Item Number	Description	Part Number	Kit Quantity
1	Kit Drive Gears for Drive System TTP2000 & KR403	P1014137	1

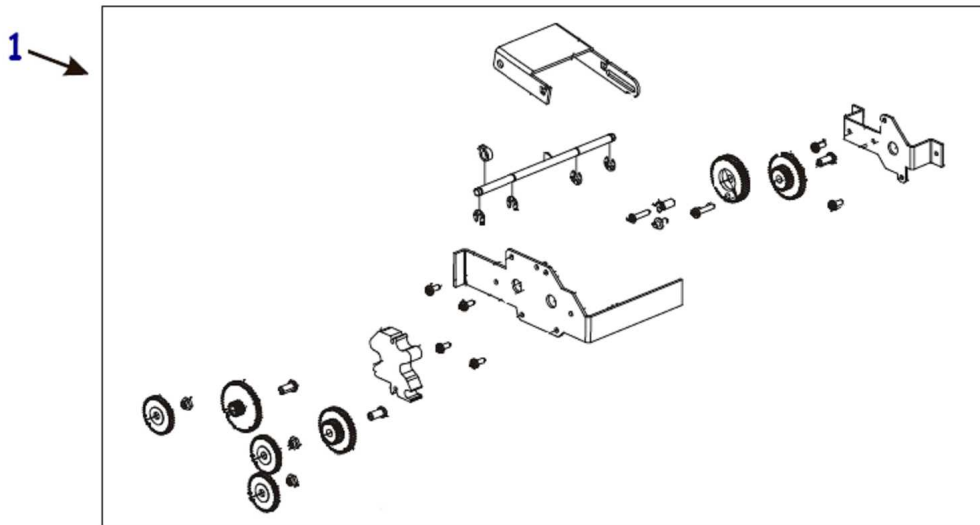
TTP2000 Parts Catalog

Drive System for printers with serial numbers greater than 90J09090013



Item Number	Description	Part Number	Kit Quantity
1	Kit Drive System Hardware for TTP2000 printers with serial numbers greater than 90J09090013	P1014136	1

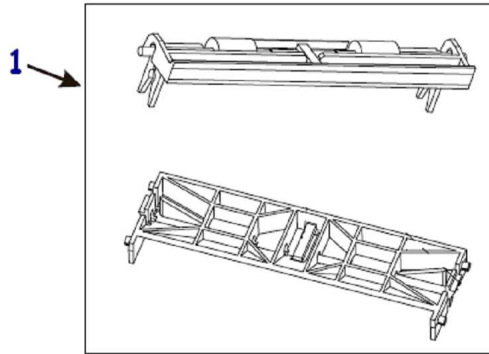
Drive System for printers with serial numbers less than 5-0953-22555



Item Number	Description	Part Number	Kit Quantity
1	Kit Drive System Hardware for TTP2000 printers with serial numbers less than 5-0953-22555	P1014135	1

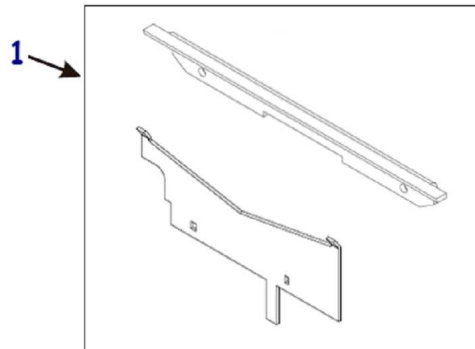
TTP2000 Parts Catalog

Presenter and Retract Roller Assemblies



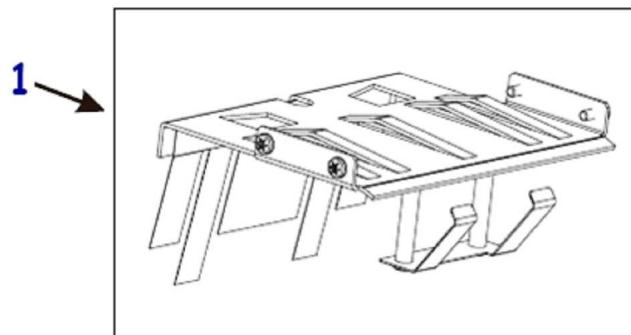
Item Number	Description	Part Number	Kit Quantity
1	Kit Presenter and Retract Roller Assemblies TTP2000 & KR403 (1 each)	P1014129	1

Cutter Blades



Item Number	Description	Part Number	Kit Quantity
1	Kit Cutter Blades TTP2000 & KR403 (1 each)	P1014133	1

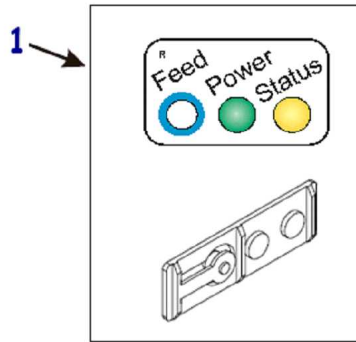
Cover Plate Assembly



Item Number	Description	Part Number	Kit Quantity
1	Kit Cover Plate Assembly TTP2000 & KR403	P1014138	1

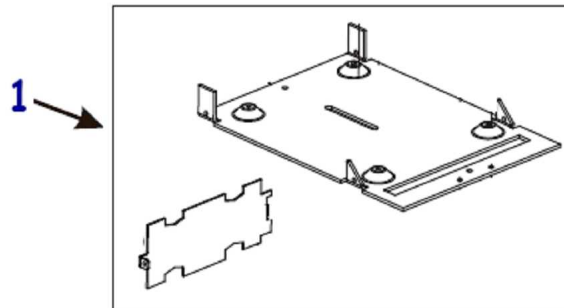
TTP2000 Parts Catalog

Control Panels



Item Number	Description	Part Number	Kit Quantity
1	Kit Control Panels TTP2000 & KR403 Left and Right side included (Qty of 3 each)	P1014144	3

Bottom Plate

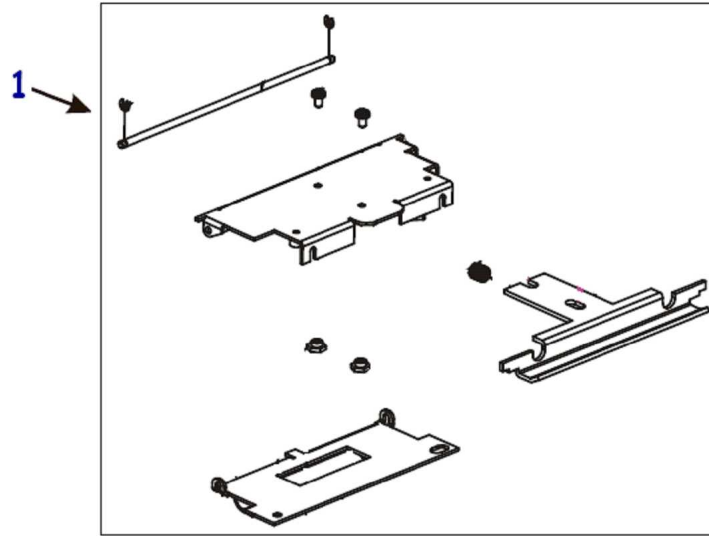


Item Number	Description	Part Number	Kit Quantity
1	Kit Bottom Plate and Divider Plate TTP2000	P1014142	1



TTP2000 Parts Catalog

Cover for Printhead



Item Number	Description	Part Number	Kit Quantity
1	Kit Cover for Printhead Assembly (does not include printhead) TTP2000	P1014143	1

Miscellaneous Items

Item Number	Description	Part Number	Kit Quantity
	Kit Packing materials for printer shipping TTP2000 & KR403	P1014148	1
	Kit Springs for the Printhead Release Latch (Qty of 10)	P1014146	10
	Kit Springs for the Printhead TTP2000 (Qty of 6)	P1014145	6
	Kit Screws M2.5x6 (Qty of 30)	P1014147	30