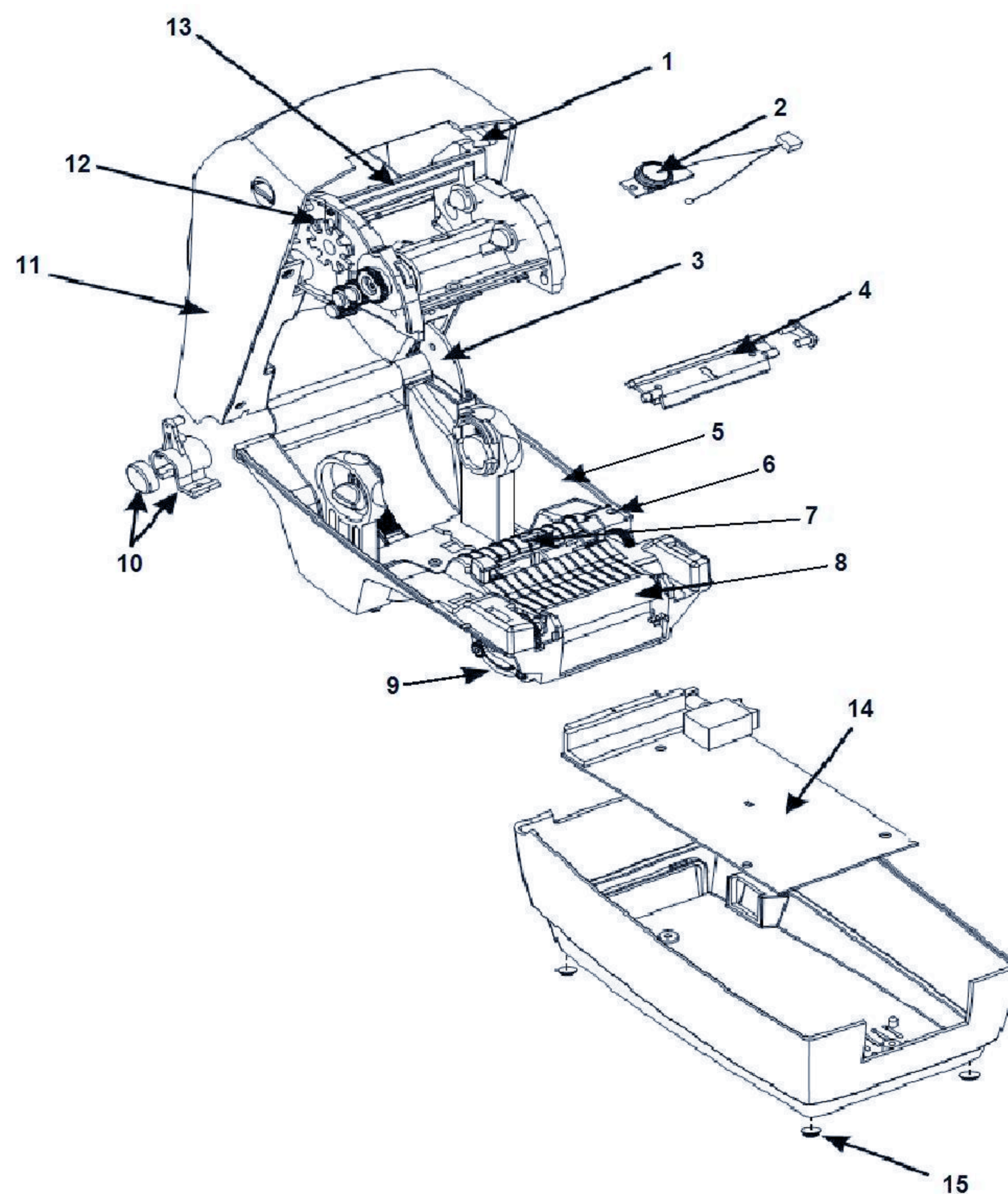




TLP 2824 Plus Parts Catalog

View 1



Item Number	Description	Part Number	Kit Quantity
1	Latch Assy.	G105910-146	1
2	Feed Switch / Sensor Assy.	G105910-064	3
3	Upper Cover Support	G105910-147	3
4	Printhead Assy., (203 dpi)	G105910-148	1
5	Lower Frame Assy. w/o Platen	P1012845-013	1
6	Head Up Sensor	P1012845-003	1
7	Gap / Blackline Sensor PCBA	P1012845-002	3
8	Platen Kit, std.	105910-150	1
9	Motor, Assy.	G105910-051	2
10	Cover Hinge	G105910-180	10
11	Upper Cover Assy.	P1012845-014	1
12	Ribbon Out Sensor	G105910-067	3
13	Ribbon Carriage w/o Print Head	P1012845-015	1
14	Main Control PCBA, std. Ser./USB	P1012845-018	1
14	Main Control PCBA, Ser./USB/Cutter	P1012845-019	1
14	Main Control PCBA, std. Par.	P1012845-020	1
14	Main Control PCBA, Par./Cutter	P1012845-021	1
14	Main Control PCBA, std. USB/Ethernet	P1012845-022	1
14	Main Control PCBA, USB/Ethernet/Cutter	P1012845-023	1
14	Main Control PCBA, Ser./USB/XMEM	P1012845-024	1
14	Main Control PCBA, Ser./USB/Cutter/XMEM	P1012845-025	1
14	Main Control PCBA, Par./XMEM	P1012845-026	1
14	Main Control PCBA, Par./Cutter/XMEM	P1012845-027	1
14	Main Control PCBA, USB/Ethernet/XMEM	P1012845-028	1
14	Main Control PCBA, USB/Ethernet/Cutter/XMEM	P1012845-029	1



TLP 2824 Parts Catalog

Item Number	Description	Part Number	Kit Quantity
14	Real Time Clock / Date I.C	P1012845-009	1
14	Real Time Clock / Date PCBA	P1012845-010	1
15	Rubber Foot Kit	105910-007	24
NOT SHOWN	Power Supply, 100V-240V (C5) with US & Euro Cords (200dpi)	P1012845-011	1
	Power Supply, 100V-240V (C5) with UK & EUR Cords (200dpi)	105950-076	1
	Power Cord, U.S. 120V, IEC320C5	105950-061	5
	Power Cord, Euro 220V, IEC320C5	105950-062	5
	Power Cord, U.K. 240V, IEC320C5	105950-063	5
	Power Cord, Australia 240V, IEC320C5	105950-064	5
	Power Cord, China 220V, IEC320C5	105950-065	5
	Power Cord, Argentina 220V, IEC320C5	105950-066	5
	Power Cord, Japan 125V, IEC320C5	105950-077	5
	Front Bezel	105910-165	3
	Dispenser Option	P1012845-004	1
	Cutter Replacement Kit	P1012845-016	1
	Ribbon Core, 2"thermal transfer	105910-174	1
	Shipping Pack	P1012845-017	1
	CD-ROM, EPL Desktop Printers Software & Documentation	P1012845-008	1
CD-ROM, Service Documentation	P1012845-012	1	