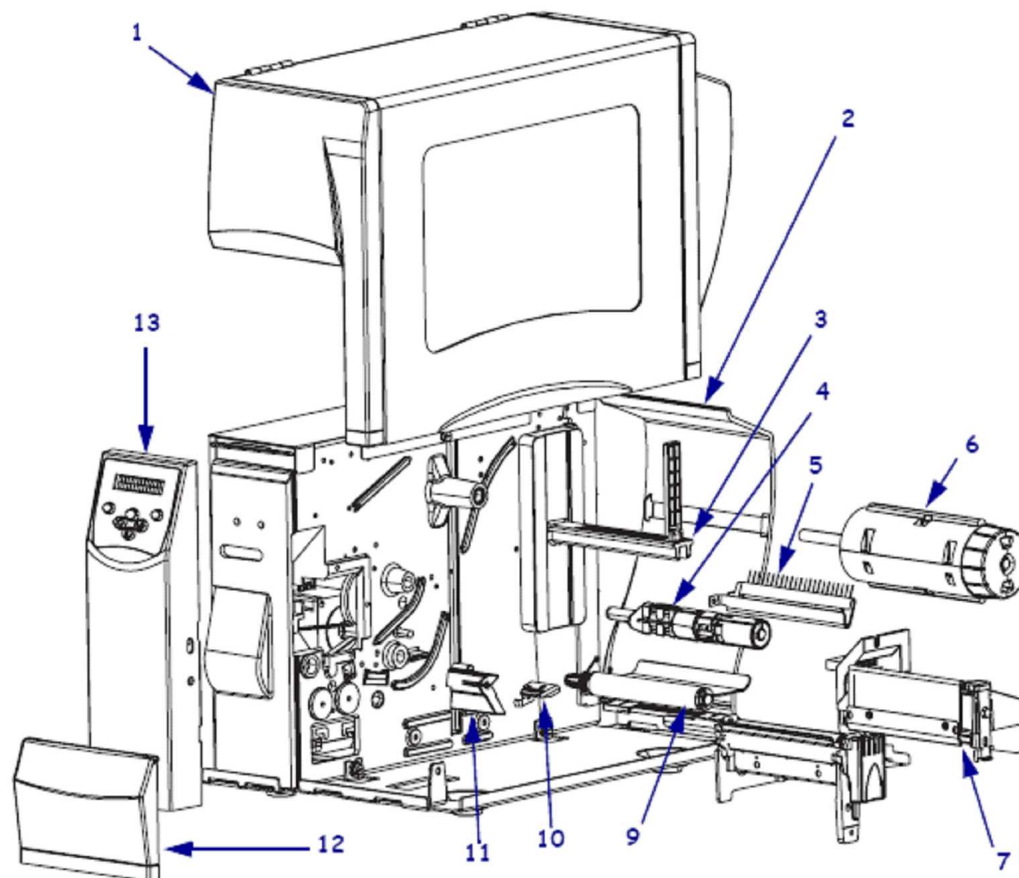


## S4M Parts Catalog

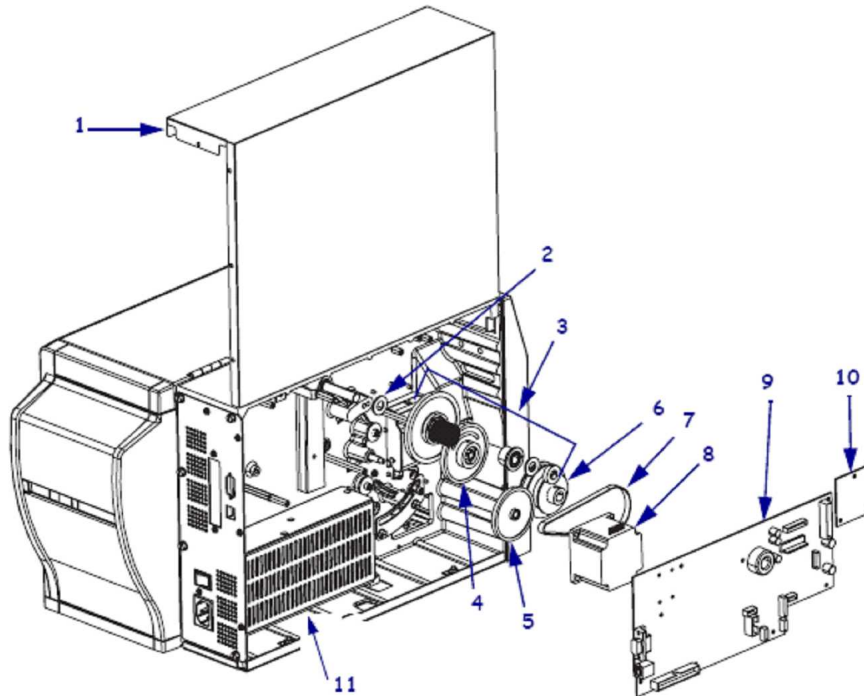
### Media Side Assemblies



Item Number	Description	Part Number	Kit Quantity
1	Media Door, S4M	G20070M	1
2	Rear Lower Cover	20053	1
3	Media Hanger Assy. Kit S4M	G20069M	1
4	Ribbon Supply Spindle Assy. Kit, S4M	G77085M	1
5	Ribbon Static Brush Assy Kit, Z4M+ & S4M	G77302M	1
6	Ribbon Take-Up Spindle Assy. Kit, S4M	20004M	1
7	203 dpi Print Mechanism Kit	G20067-104M	1
7	300 dpi Print Mechanism Kit	G20067-106M	1
9	Kit Maint Dancer, Z4M & S4M	77238M	1
10	Ribbon/Head-Open Sensor Assy. Kit	G77767M	1
11	Kit Maint. Media Sensor (Transmissive)	G77752M	1
12	Peel Option Lowrt Front Cover	20039	1
12	Tear Option Lower Front Cover	20038	1
13	Front Panel includes membrane	G20060M	1

## S4M Parts Catalog

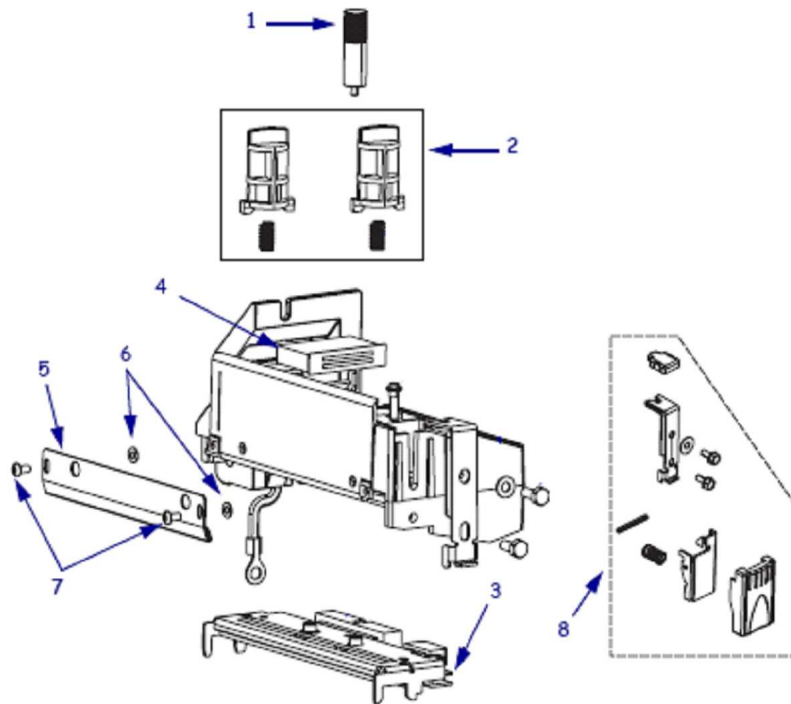
### Drive & Electronic Components



Item Number	Description	Part Number	Kit Quantity
1	Electronics Cover S4M	G20071M	1
2	Washer .379 X 0.53 X 0.056 Qty of 25	HW78812	25
3	Ribbon Spindle Take-Up Clutch Kit	G20001M	1
4	Compound Gear included in Kit 20002M	20002M	1
5	Intermediate Gear included in Kit 20002M	20002M	1
6	Compound Pulley included in Kit 20002M	20002M	1
7	Belt 203 Dpi 139T	20006	1
7	Belt 300 Dpi 128T	20005	1
8	Stepper Motor Assy. With Gear	20008M	1
9	Kit Main Logic Board 4 MB	P1008211	1
9	Kit Main Logic Board 64MB	P1008212	1
10	Power enhanced board	G28420-001M	1
11	Power Supply Maint. Kit	G29600M	1
	IPv4 10/100 Printserver Option Kit IPv4	G20063M	1
	Kit Parallel Port S4M	G20037M	1
	Kit Wireless Plus Board. In order to enable wireless function, a separate radio card must be purchased (not included).	29882-001M	1
	IPv6 Internal Print Server IPv6	P1000221	1
	IPv6 External Print Server IPv6	P1000219	1
	PCB for Real Time Clock	G20009M	1

## S4M Parts Catalog

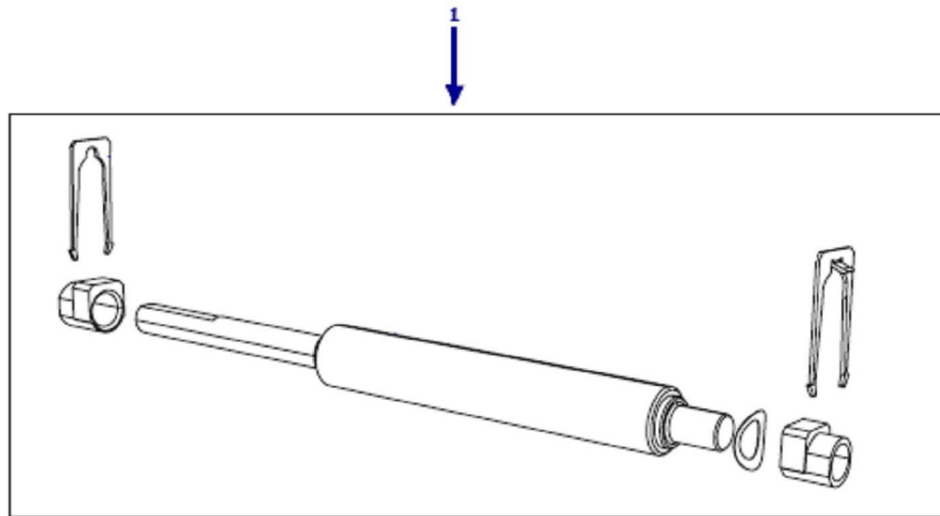
### Print Mechanism Components



Item Number	Description	Part Number	Kit Quantity
1	Screw, Printhead Mounting, QTY OF 5	HW77047	5
2	Pressure Dials and Springs	G77172M	2
3	Printhead Assy, S4M (203 dpi)	G41400M	1
3	Printhead Assy, S4M (300 dpi )	G41401M	1
4	Magnetic Latch	77660	1
5	Ribbon Strip Plate	77049-104	1
6	Washer 0.250 X 0.125 X 0.023 (Qty of 25)	HW79041	25
7	Screw M3 X 0.5 X 6 (Qty of 25)	HW78809	25
8	Kit Maint Print Mech Latch ZxM+ & S4M	G77112M	1
	Kit Printhead Cables S4M	20106M	1
	Kit Dpi conversion from 203 dpi to 300 dpi	G20112	1
	Kit Dpi conversion from 300 dpi to 203 dpi	G20111	1

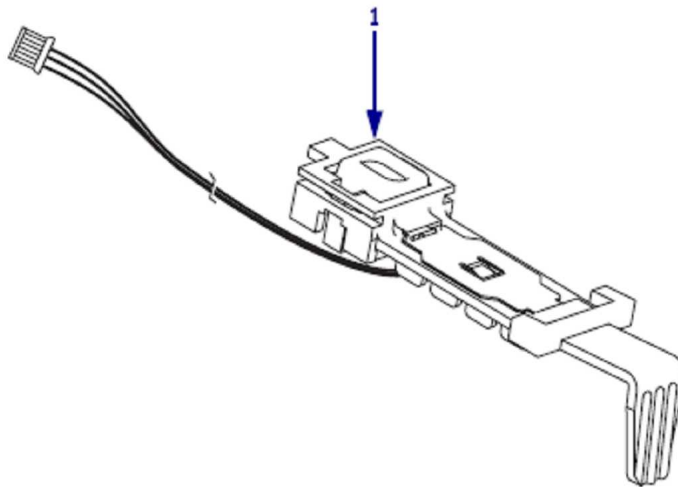
**S4M Parts Catalog**

**Platen Roller**



Item Number	Description	Part Number	Kit Quantity
1	Platen Roller Kit, S4M	G77023M	1

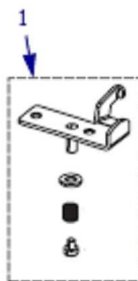
**Reflective Media Sensor**



Item Number	Description	Part Number	Kit Quantity
1	Media Sensor Assy. Kit (Reflective), S4M & Z4M+	G77807M	1

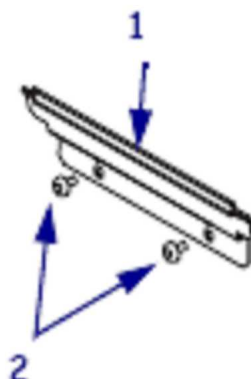
## S4M Parts Catalog

### Media Guide



Item Number	Description	Part Number	Kit Quantity
1	Media Guide	G20043M	1

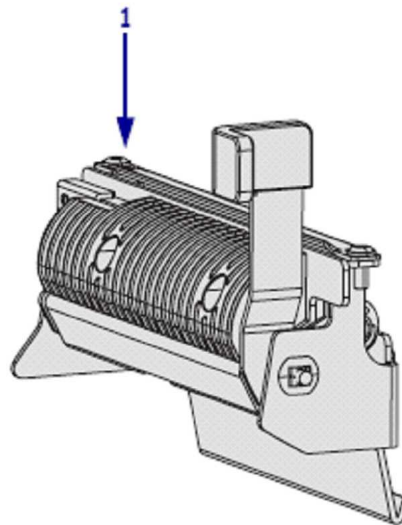
### Tear/Peel Bar



Item Number	Description	Part Number	Kit Quantity
1	Kit Maint Peel Tear Bar, Z4M+ & S4M	77625M	1
2	Screw M3 X 8mm (Qty of 25)	HW77231	25

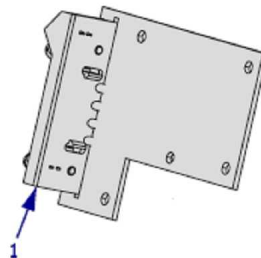
**S4M Parts Catalog**

**Peel Option**



Item Number	Description	Part Number	Kit Quantity
1	Kit Peel Unit Option: (includes take label sensor)	G20046	1
	Kit Peel Unit Only (take label sensor not included)	G78002M	1
	Kit Maint Peel Mechanism Pinch Roller, S4M	77197M	1

**Take Label Sensor**



Item Number	Description	Part Number	Kit Quantity
1	Take Label Sensor Kit	20065M	1

**Cutter Replacement**

Item Number	Description	Part Number	Kit Quantity
	Kit Replacement Cutter S4M. For replacing a factory installed cutter only	P1008213	1
	Kit Cover for Cutter S4M (includes cable)	P1008214	1
	Catch Tray for Cutter	77041	1
	Static Brush & Guard for Cutter	78120	1

**Packing Materials for Printer Shipping**

Item Number	Description	Part Number	Kit Quantity
	S4M Packing Detail for shipping printer Qty of 1	20010PM	1
	S4M Packing Detail for shipping printer Qty of 10	20010PBM	10