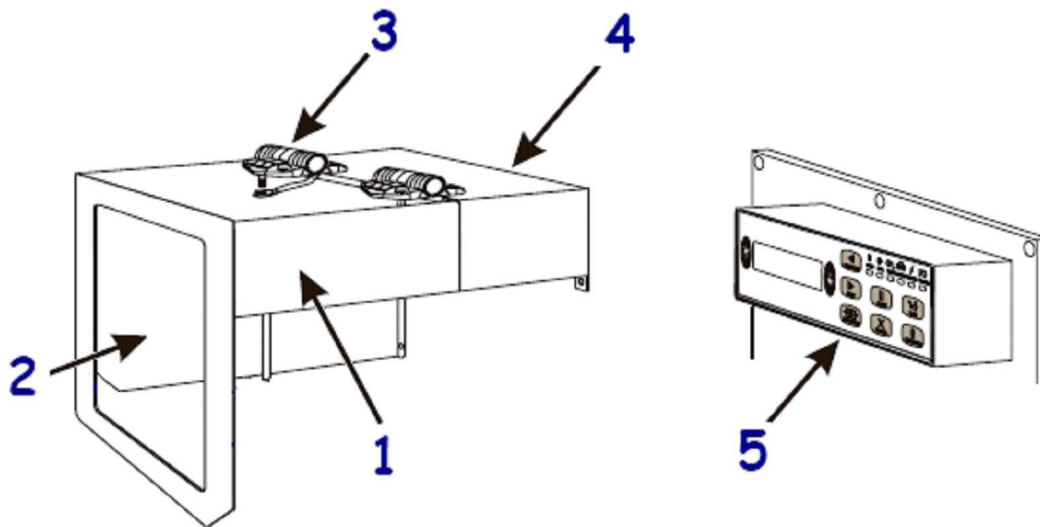


## 170PAX4 Parts Catalog: Right Hand (RH) and Left Hand (LH) Units

### Outer Casing Components

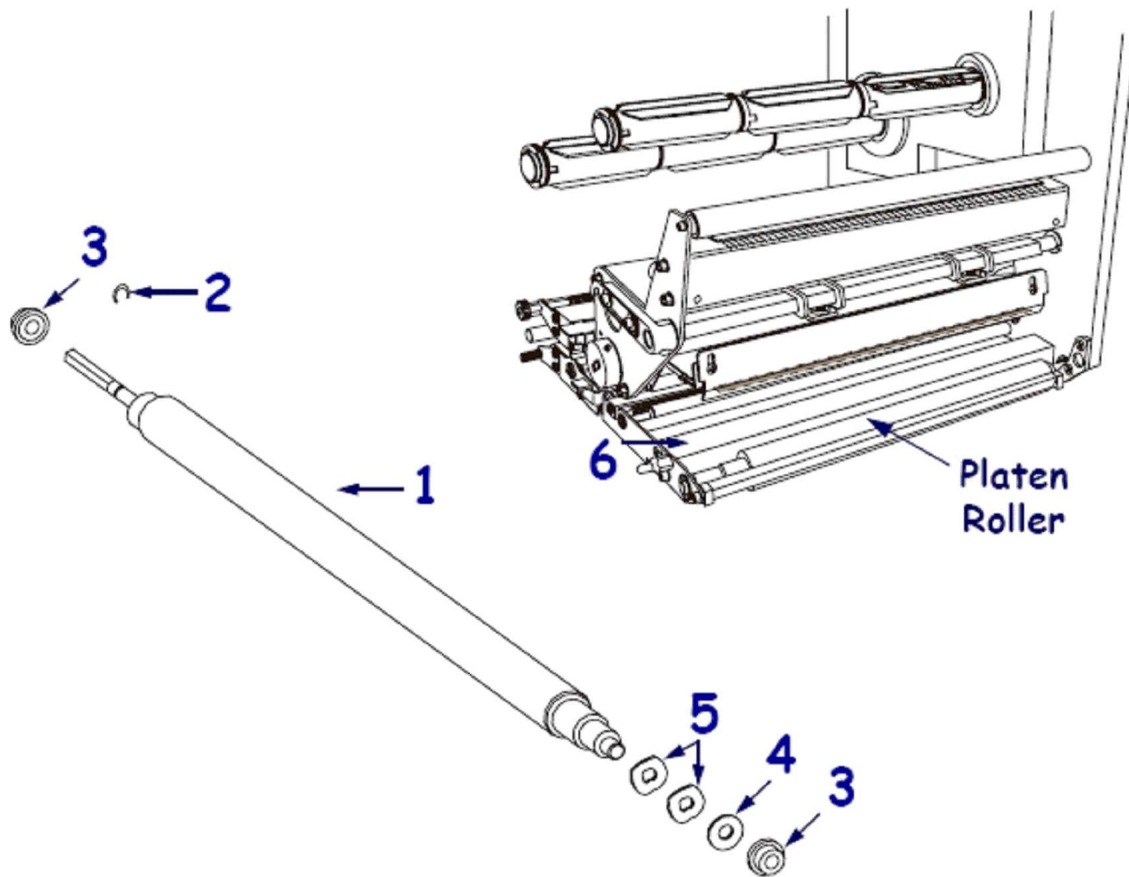


Item Number	Description	Part Number	Kit Quantity
1	Front Cover RH (does not include window or door hinges)	43728	1
1	Front Cover LH (does not include window or door hinges)	43729	1
2	Window RH & LH	49028	1
3	Kit Door Hinge RH & LH	49244M	2
4	Rear Cover LH	43727	1
4	Rear Cover RH	43726	1
5	Kit Control Panel RH & LH	G49398M	1
	Ground Strap (under hinge) RH & LH	37925	1
	Media Load Instruction Label RH	49865	1
	Media Load Instruction Label LH	49928	1



**170PAX4 Parts Catalog: Right Hand (RH) and Left Hand (LH) Units**

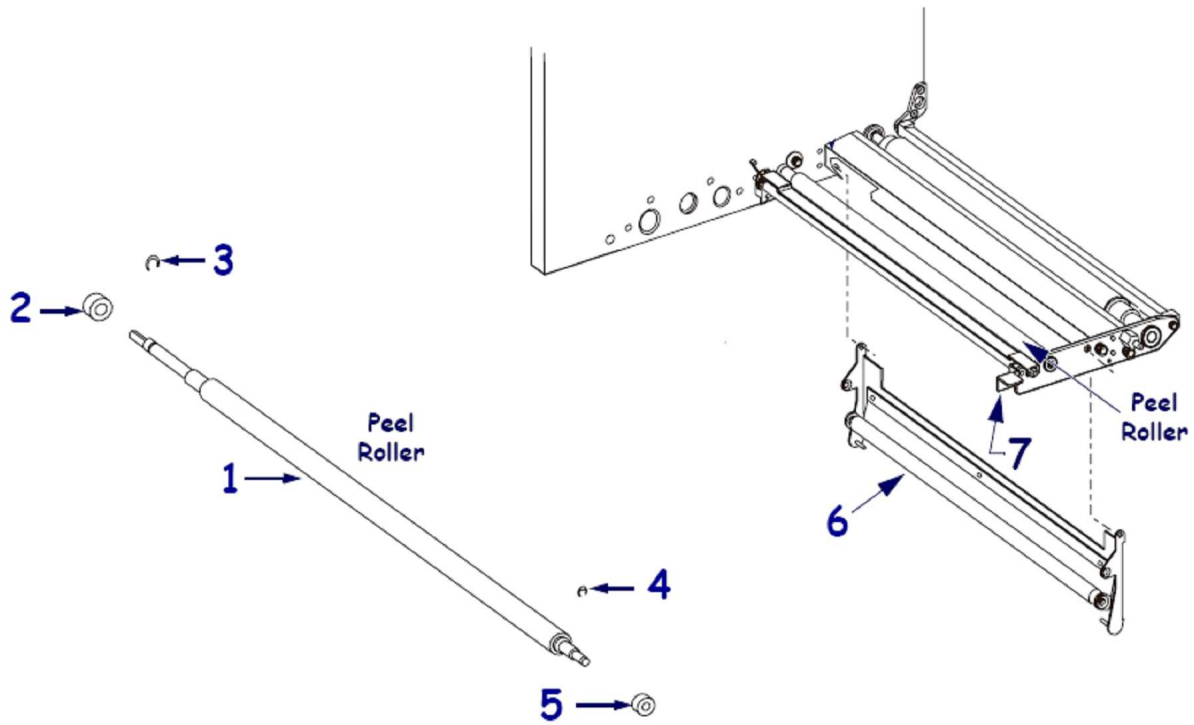
**Platen Roller**



Item Number	Description	Part Number	Kit Quantity
1	Platen Roller RH & LH	43737	1
2	Crescent Ring Ext .250 Yel, Qty of 100 RH & LH	HW33810	100
3	Ball Bearing Flanged RH & LH	49246	1
4	Flat Washer .442 x .255 x .020, Qty of 25 RH & LH	HW45934	25
5	Crescent Washer .406 x .253, Qty of 25 RH & LH	HW30260	25
6	Kit Platen Support Bar RH & LH	49004M	1

**170PAX4 Parts Catalog: Right Hand (RH) and Left Hand (LH) Units**

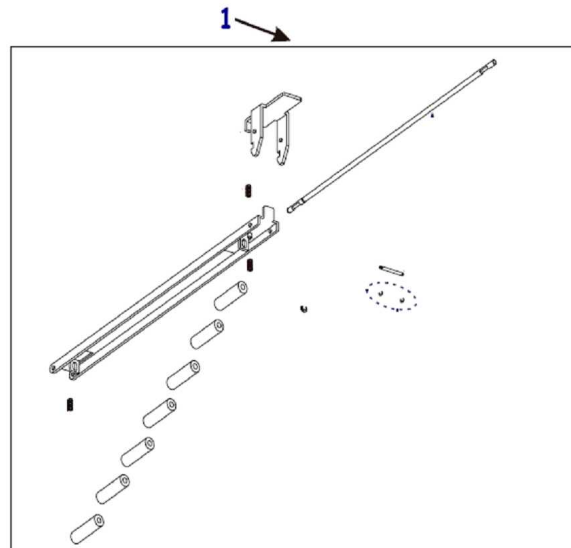
**Peel Roller**



Item Number	Description	Part Number	Kit Quantity
1	Elastomer Peel Roller RH & LH	49962	1
2	Ball Bearing RH & LH	49237	1
3	Crescent Ring Ext .250 Yel, Qty of 100 RH & LH	HW33810	100
4	Ring E Ext .125, Qty of 100 RH & LH	HW45947	100
5	Ball Bearing RH & LH	44423	1
6	Kit Bracket for Peel Assembly RH & LH	G49919M	1
7	Latch Assembly for Peel Roller release RH	49833	1
7	Latch Assembly for Peel Roller release LH	49834	1

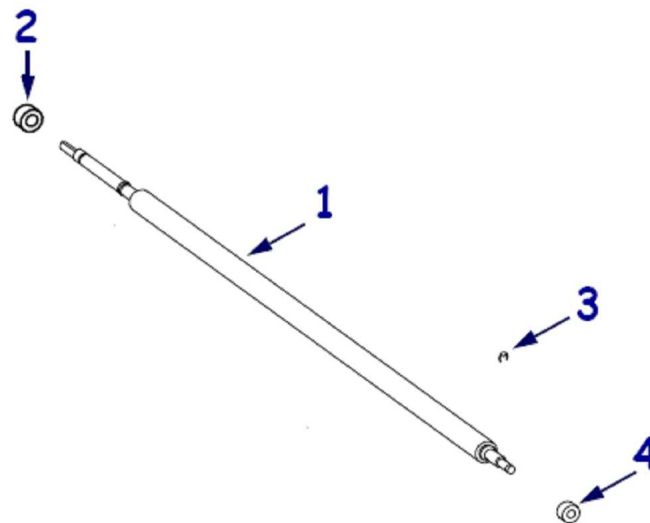
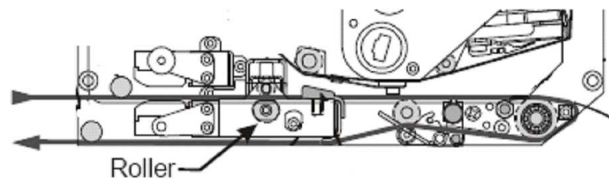
**170PAX4 Parts Catalog: Right Hand (RH) and Left Hand (LH) Units**

**Segmented Upper Pinch Roller**



Item Number	Description	Part Number	Kit Quantity
1	Kit Segmented Roller RH	57619M	1
1	Kit Segmented Roller LH	57620M	1

**Elastomer Pinch Roller**

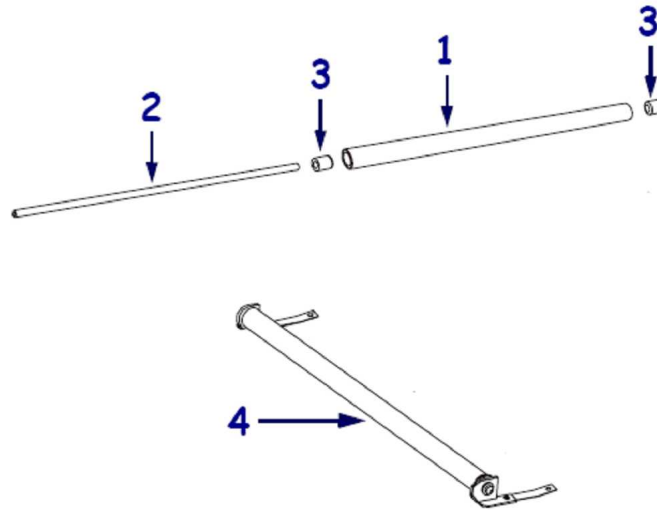


Item Number	Description	Part Number	Kit Quantity
1	Elastomer Pinch Roller RH & LH	49963	1
2	Ball Bearing RH & LH	49237	1
3	Ring E Ext .125, Qty of 100 RH & LH	HW45947	100
4	Ball Bearing RH & LH	44423	1



**170PAX4 Parts Catalog: Right Hand (RH) and Left Hand (LH) Units**

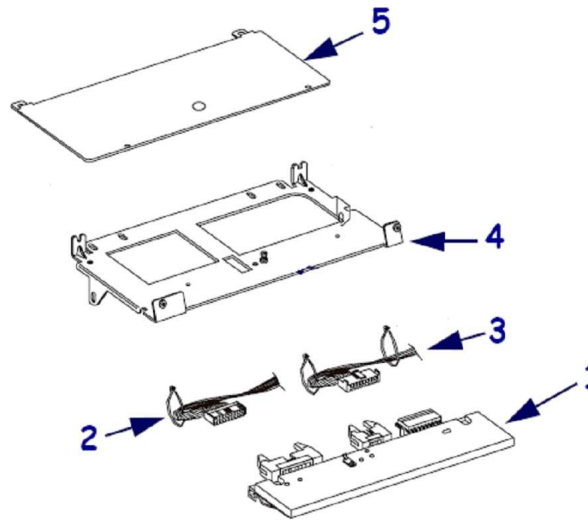
**Ribbon Guides**



Item Number	Description	Part Number	Kit Quantity
1	Upper Ribbon Guide Roller RH & LH	49213	1
2	Upper Ribbon Roller Shaft RH & LH	49211	1
3	Upper Ribbon Guide Roller Bearing RH & LH	49215	1
4	Kit Lower Ribbon Guide RH & LH	G49279M	1

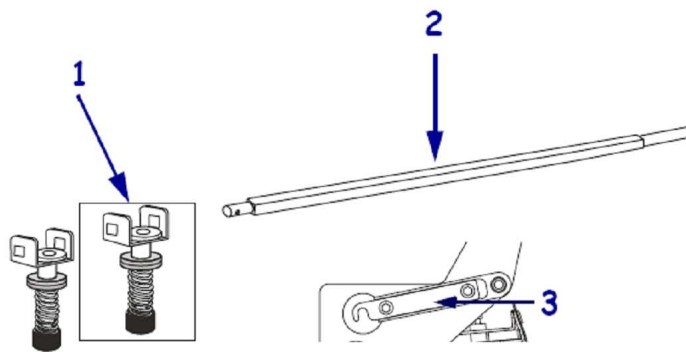
**170PAX4 Parts Catalog: Right Hand (RH) and Left Hand (LH) Units**

**Printhead Components**



Item Number	Description	Part Number	Kit Quantity
1	Kit Printhead 203 dpi RH & LH	G38000M	1
1	Kit Printhead 300 dpi RH & LH	G46500M	1
2	Printhead Data Cable RH & LH	37868	1
3	Printhead Power Cable RH & LH	G57423M	1
4	Mounting Bracket for Printhead RH	57490	1
4	Mounting Bracket for Printhead LH	57491	1
5	Pressure Plate RH	57493	1
5	Pressure Plate LH	57494	1
	Kit Printhead dpi Conversion from 203 dpi to 300 dpi RH & LH	G49494M	1
	Kit Printhead dpi Conversion from 300 dpi to 203 dpi RH & LH	G49497M	1

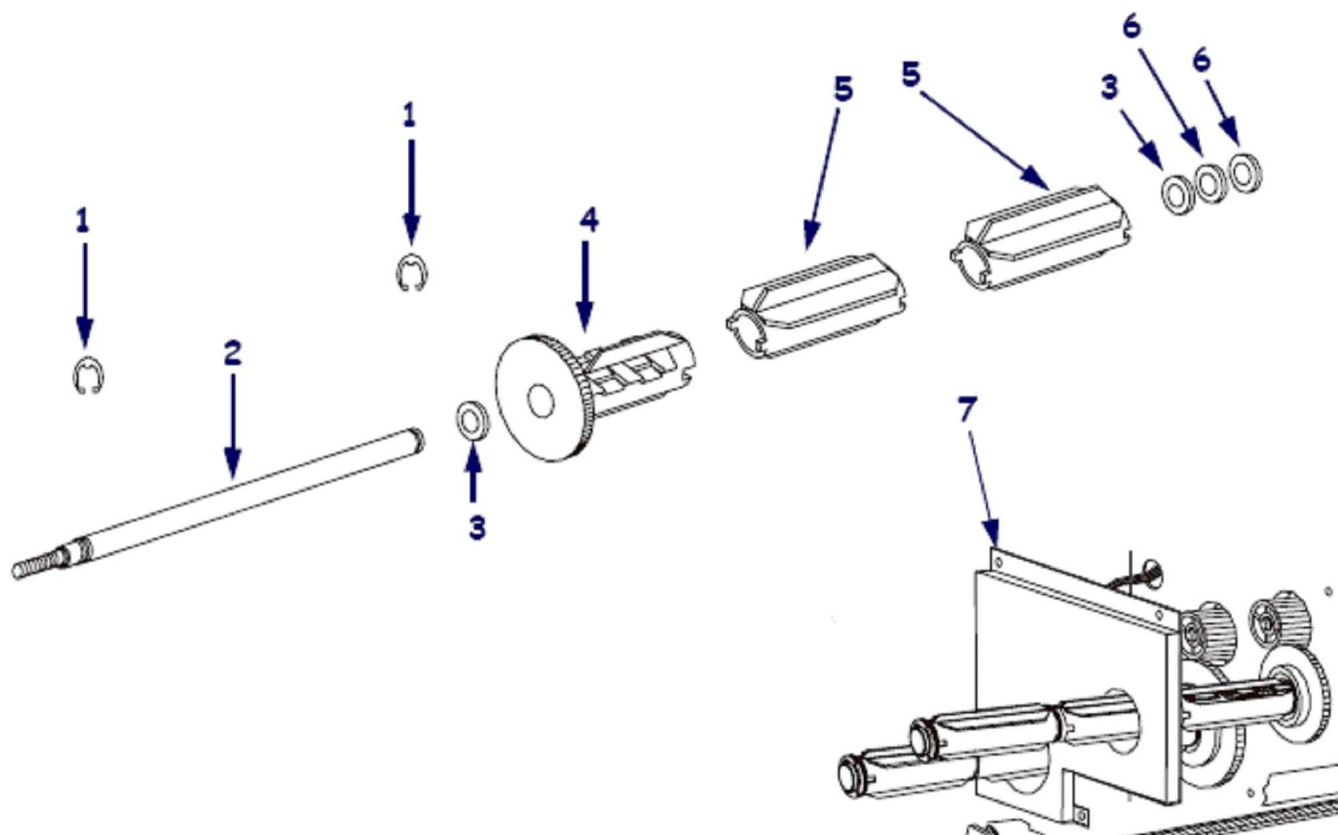
**Toggle Assembly**



Item Number	Description	Part Number	Kit Quantity
1	Kit Printhead Pressure Toggle (Qty of 1) RH & LH	49099M	1
2	Toggle Pivot Bar RH & LH	46202	1
3	Kit Locking Lever RH	G49221M	1
3	Kit Locking Lever LH	G49433M	1

## 170PAX4 Parts Catalog: Right Hand (RH) and Left Hand (LH) Units

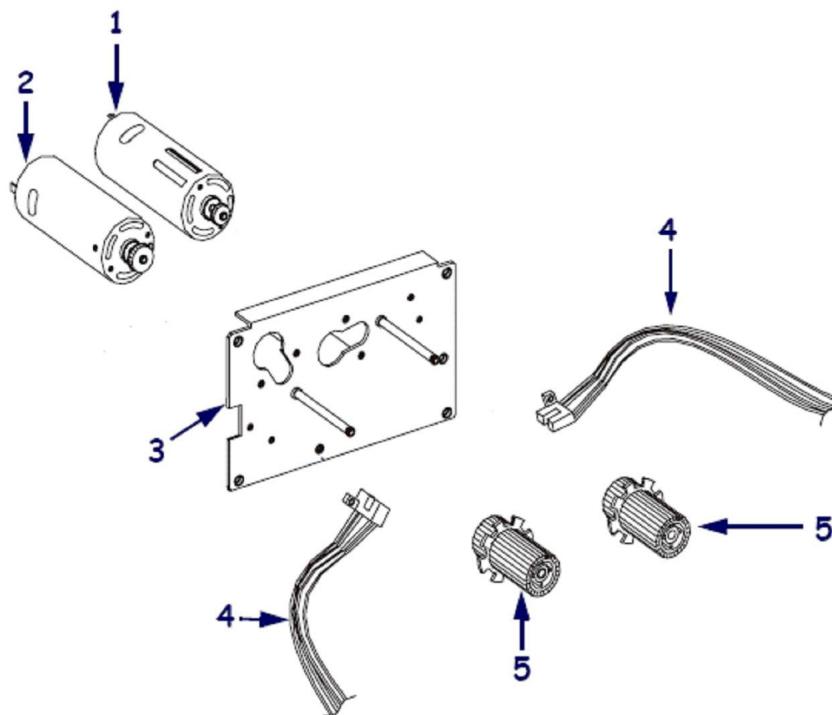
### Ribbon Spindles



Item Number	Description	Part Number	Kit Quantity
1	Ring E 12mm, Qty of 5	HW10188	5
2	Spindle Shaft RH & LH	49084	1
3	Flat Washer .76 x .51 x .03, Qty of 25	HW33804	25
4	Kit Ribbon Take-Up Spindle Gear Assembly RH & LH	49319M	1
4	Kit Ribbon Supply Spindle Gear Assembly RH & LH	49394M	1
5	Ribbon Outer Spindle RH & LH	49379	1
6	Washer .75 x .506 x .010, Qty of 50	HW43986	50
7	Cover for Spindle Gears RH	49088	1
7	Cover for Spindle Gears LH	49488	1

**170PAX4 Parts Catalog: Right Hand (RH) and Left Hand (LH) Units**

**Ribbon Motors**



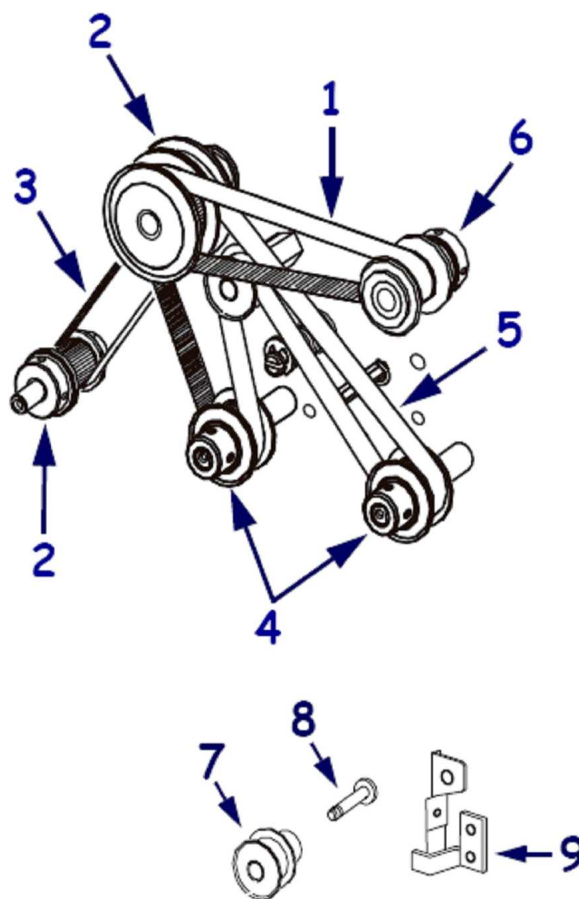
Item Number	Description	Part Number	Kit Quantity
1	Kit Ribbon Take-Up DC Motor (includes cable) RH & LH	G49310M	1
2	Kit Ribbon Supply DC Motor (includes cable) RH & LH	G49239M	1
3	DC Motor Bracket RH	49320	1
3	DC Motor Bracket LH	49425	1
4	Encoder Sensor RH & LH	37921	1
5	Gear 25T 32P 20PA RH & LH	49147	1





**170PAX4 Parts Catalog: Right Hand (RH) and Left Hand (LH) Units**

**Drive System Components**

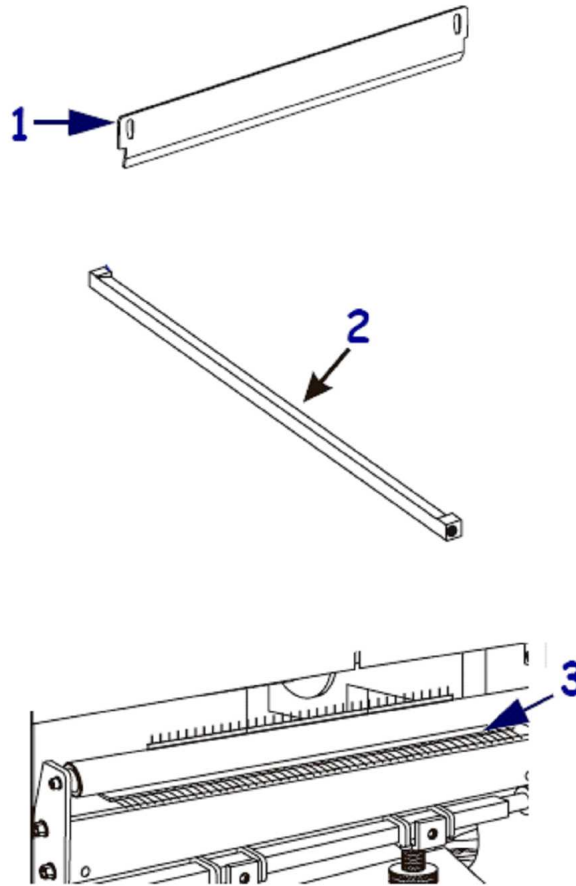


Item Number	Description	Part Number	Kit Quantity
1	Drive Belt .080P 122T (203 & 300 dpi) RH & LH	45189-18	1
2	Kit Intermediate Pulley & Platen Pulley (includes platen drive belt 203 & 300 dpi) RH	43767M	1
2	Kit Intermediate Pulley & Platen Pulley (includes platen drive belt 203 & 300 dpi) LH	43766M	1
3	Kit Platen Drive Belt (203 & 300 dpi) RH & LH. This belt can be directly installed on 170PAX4 units with serial numbers greater than or equal to 05C07230006. 170PAX4 units with serial numbers less than 05C07230006 will first need to install the upgraded platen pulley (item 2) and the upgraded intermediate pulley (item 2) contained in kits 43767M (RH) or 43766M (LH) BEFORE installing the platen drive belt contained in kit 14196M. Upgraded pulley kits 43767M & 43766M also include the platen drive belt contained in kit 14196M.	14196M	1
4	Kit Pulley for Elastomer Pinch Roller Or Peel Roller (203 & 300 dpi) RH & LH	G49159M	1
5	Serpentine Belt .080P 205T (203 & 300 dpi) RH & LH	45189-19	1
6	Kit Pulley for Stepper Motor 203 dpi RH & LH	G40357M	1
6	Kit Pulley for Stepper Motor 300 dpi RH & LH	G49857M	1
7	Rewind Idler Pulley (203 & 300 dpi) RH & LH	30265	1
8	Idler Pulley Shaft (203 & 300 dpi) RH & LH	30207	1
9	Idler Spring RH	49887	1
9	Idler Spring LH	49889	1
	Kit Stepper Motor (203 & 300 dpi) RH & LH	G57341M	1



**170PAX4 Parts Catalog: Right Hand (RH) and Left Hand (LH) Units**

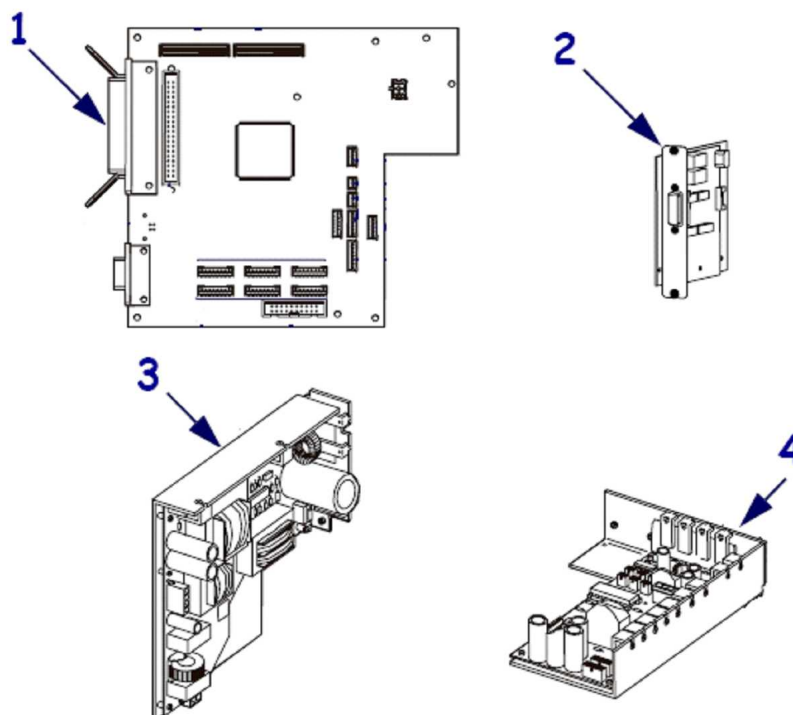
**Ribbon Strip Plate - Peel Bar**



Item Number	Description	Part Number	Kit Quantity
1	Ribbon Strip Plate (203 & 300 dpi) RH & LH	49216	1
2	Peel Bar RH & LH	41124	1
3	Kit Dual Ribbon Static Brush RH & LH	43705-1M	1

## 170PAX4 Parts Catalog: Right Hand (RH) and Left Hand (LH) Units

### Electronic Components



Item Number	Description	Part Number	Kit Quantity
1	Kit Main Logic Board 4MB RH & LH	34901-041M	1
1	Kit Main Logic Board 64MB RH & LH	34901-043M	1
2	Kit Applicator Interface 5V I/O RH & LH	G57056M	1
2	Kit Applicator Interface 24V I/O RH & LH	G57389M	1
3	Kit AC Power Supply RH & LH	43880M	1
4	Kit DC Power Supply PCB RH	G49790M	1
4	Kit DC Power Supply PCB LH	G57431M	1
	Kit Ribbon Motor Control PCB RH & LH	G57310M	1
	Kit PCMCIA Board RH & LH	G57350M	1
	Kit Internal Wireless Plus 802.11 b/g Radio. Includes Magnetic Mount for Antenna. For use in the U.S., Canada, EU, Australia, New Zealand	29652-004M	1
	Kit Antenna Replacement for the Internal Wireless Plus Radio	39538M	1
	Kit Magnetic Mount Replacement (Antenna not included)	39518M	1
	Kit Wireless Plus Board. In order to achieve wireless function, a separate radio card must be purchased (not included).	29651-004M	1
	Kit Internal Print Server 10/100 RH & LH	G57546	1
	Kit External Print Server 10/100 RH & LH	G47490	1
	Kit Cable Harness RH	G57352M	1
	Kit Cable Harness LH	G57427M	1

**170PAX4 Parts Catalog: Right Hand (RH) and Left Hand (LH) Units****Sensors**

<b>Item Number</b>	<b>Description</b>	<b>Part Number</b>	<b>Kit Quantity</b>
	Kit Lower Media Sensor RH	G57357M	1
	Kit Lower Media Sensor LH	G57359M	1
	Kit Upper Media Sensor RH	G57651M	1
	Kit Upper Media Sensor LH	G57681M	1
	Kit Reflective Media Sensor (black mark) RH & LH	49652M	1
	Kit Ribbon Sensor RH & LH	G46665M	1
	Kit Reflector for Ribbon Sensor RH & LH	G49302M	1
	Kit Media Door Open Switch RH & LH	G57355M	1
	Printhead Open Sensor RH & LH	37920	1

**Packing Material**

<b>Item Number</b>	<b>Description</b>	<b>Part Number</b>	<b>Kit Quantity</b>
	Kit Packing materials	G57533PM	1



## Hardware

Item Number	Description	Part Number	Kit Quantity
	E Ring External 0.188 Qty of 50	HW02133	50
	Cable Clamp .115 Nylon, Qty of 25	HW02324	25
	Ring E Ext .312 Yel, Qty of 25	HW06250	25
	PCB Nylon Guide, Qty of 10	HW06576	10
	Ring E Ext .094, Qty of 25	HW07309	25
	Screw M3 x .5 x 4 FI Ph Bl, Qty of 25	HW10402	25
	Screw M3 x .5 x 6 FI Ph Bl, Qty of 25	HW10404	25
	Sc M3 x .5 8 Pn Pn Blk, Qty of 25	HW10405	25
	Screw M4 x .7 x 6 Cap, Qty of 25	HW10431	25
	Screw M4 x 0.7 x 12, Qty of 25	HW10432	25
	Nut Hex M3, Qty of 25	HW10460	25
	Washer FI M3, Qty of 50	HW10470	50
	Washer Split M3, Qty of 50	HW10471	50
	Screw M4 x 0.7 x 10, Qty of 25	HW10856	25
	Nylon Bearing .312 x .251 x .078, Qty of 25	HW30105	25
	Stop Head Lift Spring, Qty of 10	HW30266	10
	Screw 6-32 x .37, Qty of 25	HW30392-006	25
	Screw 6-32 x .37 Bu So H Bo, Qty of 25	HW30402-006	25
	Standoff 4-40 HEX, Qty of 25	HW32406	25
	Nut 6-32 S Zn Hx, Qty of 25	HW32409	25
	Split Washer M5, Qty of 10	HW32410	10
	Washer FI .500 x .191 x .030 Qty of 25	HW33805	25
	Crescent Ring Ext .250 Yel, Qty of 100	HW33810	100
	Washer Flt .375 x .156 x .065. Qty of 100	HW33822	100
	Cvd Washer .344 x .172 x .006, Qty of 25	HW40194	25
	SC M5X0.8X12 Pan PH ZN Qty of 25	HW43971	25
	Screw M4 x .7 x 10 Ph Pn Zn Qty of 25	HW43978	25
	Screw M3 x .5 x 10 Ph Pn Zn, Qty of 25	HW43979	25
	Screw M4 x .7 10, Qty of 25	HW43981	25
	Screw M3 x 0.5 Qty of 25	HW43982	25
	Screw m2.5 x .45 x 3mm Qty of 25	HW43989	25
	Screw M3.5 x 0.5 x 11, Qty of 25	HW44001	25
	Screw M3 x .6 x 10 , Qty of 10	HW44053	10
	Nut Hex M5 X .8 X 2.6, Qty of 25	HW44055	25
	Screw Set Cup M3 x 0.5 x 4, Qty of 25	HW44147	25
	Screw 2-56 x .50 Pan Hd Ph, Qty of 25	HW44188	25
	Screw M3 x 0.5 x 8mm, Qty of 25	HW44924	25
	Washer Split M4, Qty of 25	HW45931	25
	Wash .26 .63 .06 Zn, Qty of 25	HW45935	25
	Washer Lock Extrnl 6 Wty of 100	HW45946	100
	Washer .381 x .126 x .042, Qty of 25	HW45950	25
	Washer Flat Nylon .37 x .192 x .05, Qty of 25	HW46128	25
	Washer Flat Nylon .37 x .192 x .01, Qty of 25	HW46129	25
	Spring Compression .07 x .12 x .31, Qty of 25	HW46166	25
	Rivet Snap .138 x .08, Qty of 10	HW48182	10
	Screw M3 x 0.6 x 20, Qty of 25	HW49152	25
	Screw M4 x 0.7 x 20, Qty of 10	HW43976	10
	Screw M3 x 0.5 x 14, Qty of 10	HW49185	10
	Screw M2.5 x .045 x 6 Cp So H Bo, Qty of 25	HW49186	25
	Retaing Ring, Qty of 10	HW49195	10
	Washer Adj Hub, Qty of 5	HW49223	5

**170PAX4 Parts Catalog: Right Hand (RH) and Left Hand (LH) Units****Hardware**

<b>Item Number</b>	<b>Description</b>	<b>Part Number</b>	<b>Kit Quantity</b>
	Wave Washer Adj Hub, Qty of 5	HW49227	5
	Ring Ext Ret, Qty of 25	HW49228	25
	Screw M4 x .7 x 30 Shcs, Qty of 25	HW49230	25
	Spacer, Compliant Spring Qty of 5	HW49292	5
	Screw M4 x .7 x 50 Shcs Zn, Qty of 5	HW49350	5
	Standoff .010, Qty of 10	HW49356	10
	Screw M4 x .7 x 8 Shcs Qty of 25	HW49881	25
	Screw 4-40 x .31, Qty of 25	HW78802	25
	Screw M3 x .5 x 4, Qty of 50	HW78803	50
	Screw M3 x .5 x 6, Qty of 50	HW78804	50
	Screw M3 x 0.5 x 6, Qty of 50	HW78805	50
	Cable Tie Qty of 20	HWQ06020	20