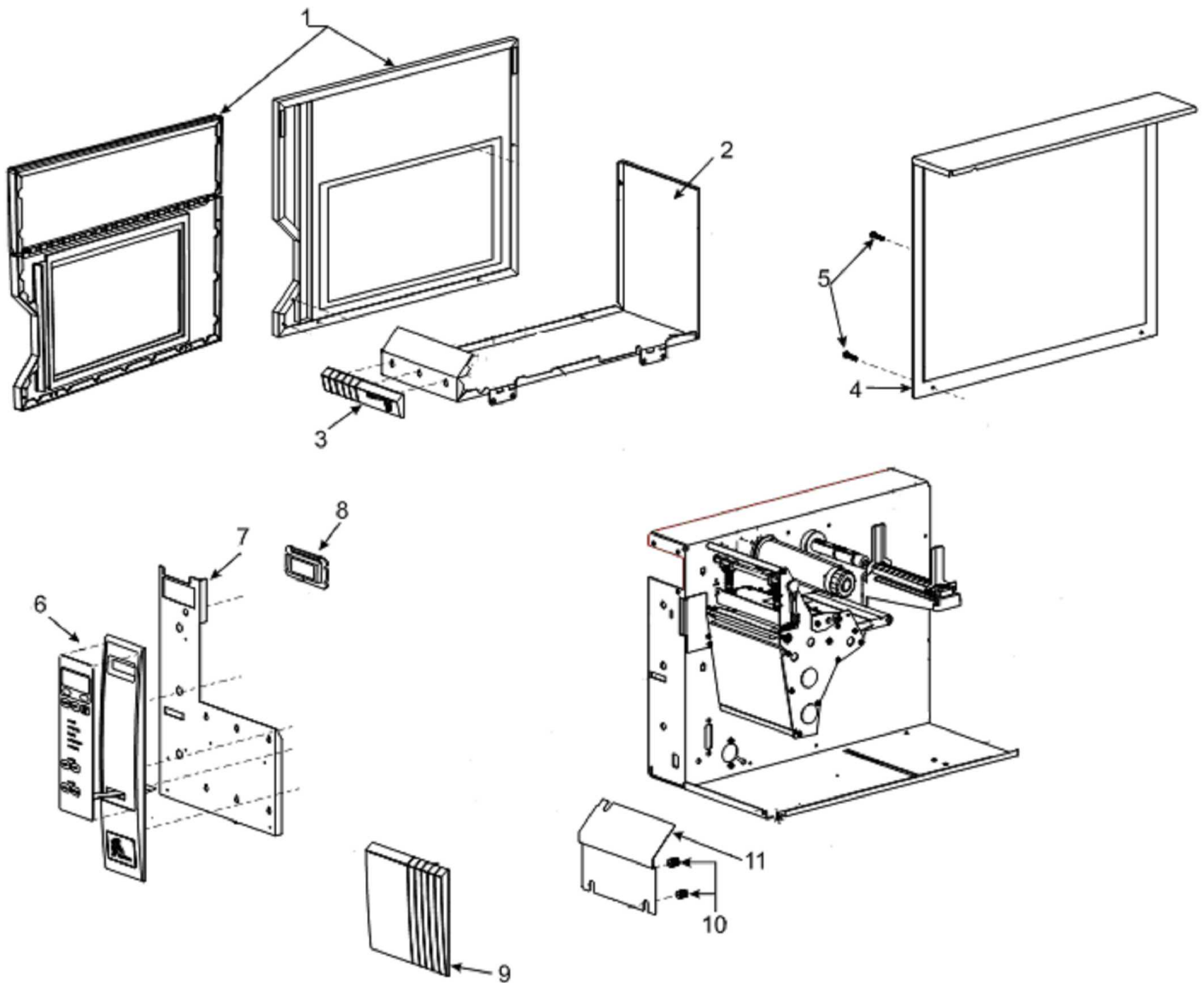


140Xi3Plus, 170Xi3Plus, 220Xi3Plus Parts Catalog

Outer Casing Components



Item Number	Description	Part Number	Kit Quantity
1	140, 170, 220 Clear Media Door Panel	46937	1
1	140, 170, 220 Kit Bi-Fold Clear Media Door Panel	G47077M	1
2	140 Kit Media Cover	G48721M	1
2	170 Kit Media Cover	G46721M	1
2	220 Kit Media Cover	G22721M	1
3	140XiIII Plus 203 dpi Product Name Plate	33310-8	1
3	170XiIII Plus 203 dpi Product Name Plate	33310-4	1
3	170XiIII Plus 300 dpi Product Name Plate	33310-5	1
3	220XiIII Plus 203 dpi Product Name Plate	33310-6	1
3	220XiIII Plus 300 dpi Product Name Plate	33310-7	1



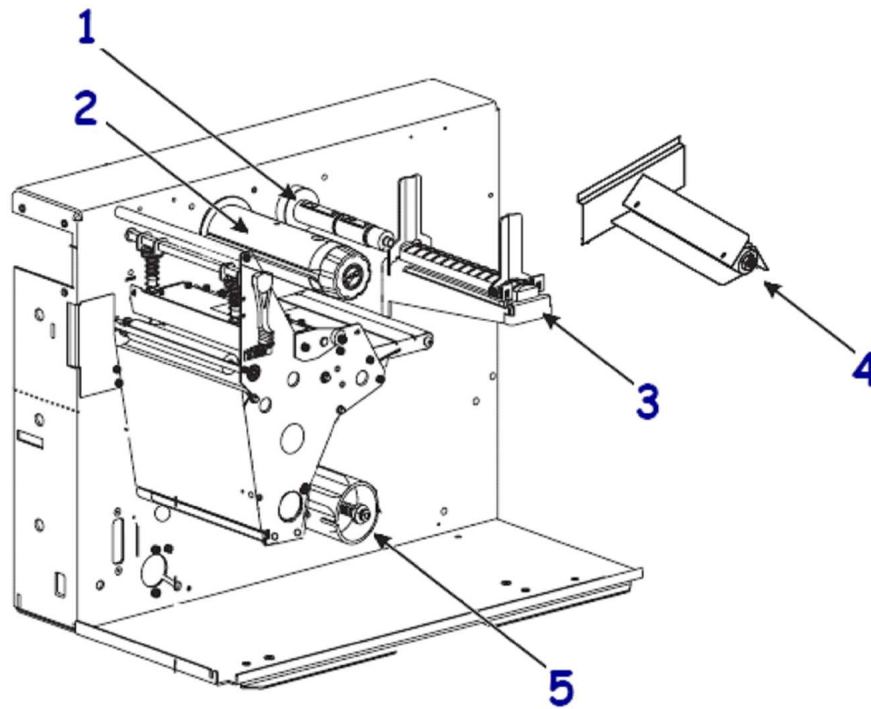
140Xi3Plus, 170Xi3Plus, 220Xi3Plus Parts Catalog

Outer Casing Components

Item Number	Description	Part Number	Kit Quantity
4	140, 170, 220 Kit Electronics Cover	G32036M	1
5	Screw 6-32 0.37, Qty of 25	HW32413-006	25
6	140, 170, 220 Kit Switch Panel and Membrane	G22492M	1
7	140 Front Cover	33036-2	1
7	170 Front Cover	33036-3	1
7	220 Front Cover	33036-4	1
8	140, 170, 220 Kit Maint LCD	G32043M	1
9	140 Lower Media Trim Panel	46491-2	1
9	170 Lower Media Trim Panel	46491-1	1
9	220 Lower Media Trim Panel	22491	1
10	Thumb Nut 6-32 x .50 Brass, Qty of 25	HW01815	25
11	140 Front Cover Bracket	48342	1
11	170 Cover Front Bracket	38342	1
11	220 Front Cover Bracket	22342	1
Not Shown	220Xi3 Media Door Damper Assembly	G22304M	1

140Xi3Plus, 170Xi3Plus, 220Xi3Plus Parts Catalog

Ribbon and Media Spindles

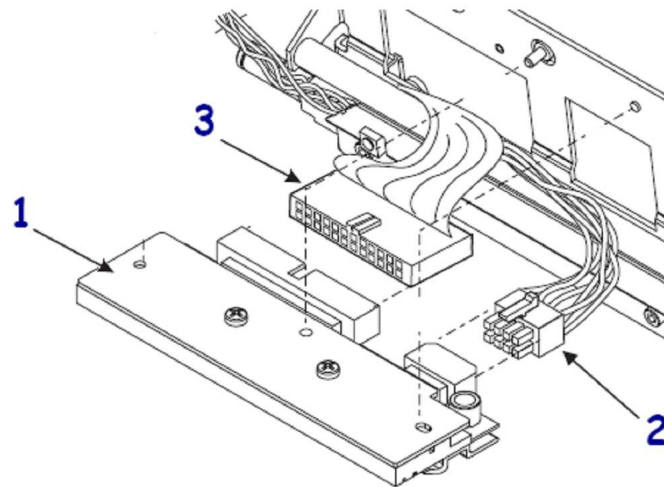


Item Number	Description	Part Number	Kit Quantity
1	140 Ribbon Supply Spindle Assembly	G48151M	1
1	170 Ribbon Supply Spindle Assembly	G46151M	1
1	220 Ribbon Supply Spindle Assembly	G22151M	1
2	140 Kit Ribbon Take Up Spindle	G48250	1
2	170 Kit Ribbon Take Up Spindle	G46350	1
2	220 Kit Ribbon Take Up Spindle	G22250	1
3	140 Kit Media Supply Hanger	G48153-4M	1
3	170 Kit Media Supply Hanger	G46153M	1
3	220 Kit Media Supply Hanger	G22153M	1
4	140 Media Supply Spindle 3 inch ID Media Core	G48253M	1
4	140 Media Supply Spindle 40mm ID Media Core	G48044M	1
4	170 Media Supply Spindle 3 inch ID Media Core	G46253M	1
4	170 Media Supply Spindle 40mm ID Media Core	G46044M	1
4	220 Media Supply Spindle 3 inch ID Media Core	G22253M	1
5	140 Media Rewind Spindle Maintenance Kit	G48155M	1
5	170 Media Rewind Spindle Maintenance Kit	G46249M	1
5	220 Media Rewind Spindle Maintenance Kit	G22155M	1



140Xi3Plus, 170Xi3Plus, 220Xi3Plus Parts Catalog

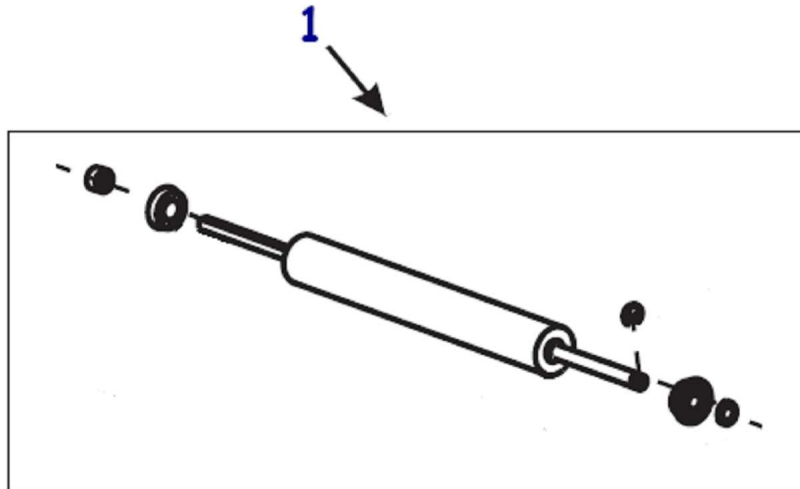
Printhead Components



Item Number	Description	Part Number	Kit Quantity
1	140 Printhead 140XiIIIPlus 203 dpi	G48000M	1
1	170 Printhead 170XiIIIPlus 203 dpi	G38000M	1
1	170 Printhead 170XiIIIPlus 300 dpi	G46500M	1
1	220 Printhead 220XiIIIPlus 203 dpi	G22000M	1
1	220 Printhead 220XiIIIPlus 300 dpi	G47426M	1
2	140 Printhead Power Cable	37852-021	1
2	170 Printhead Power Cable	37852-023	1
2	220 Printhead Power Cable (220Xi3+ printers use two different power cables...one of each type is required)	37825-020	1
2	220 Printhead Power Cable (220Xi3+ printers use two different power cables...one of each type is required)	37825-025	1
3	140, 170 Printhead Data Cable	37884	1
3	220 Printhead Data Cable	37826	1

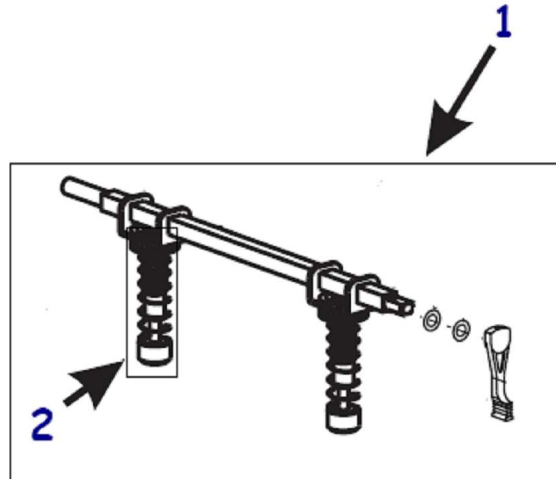
140Xi3Plus, 170Xi3Plus, 220Xi3Plus Parts Catalog

Platen Rollers



Item Number	Description	Part Number	Kit Quantity
1	140 Kit Platen Roller	G40038M	1
1	170 Kit Platen Roller	G46278M	1
1	220 Kit Platen Roller	G22101M	1

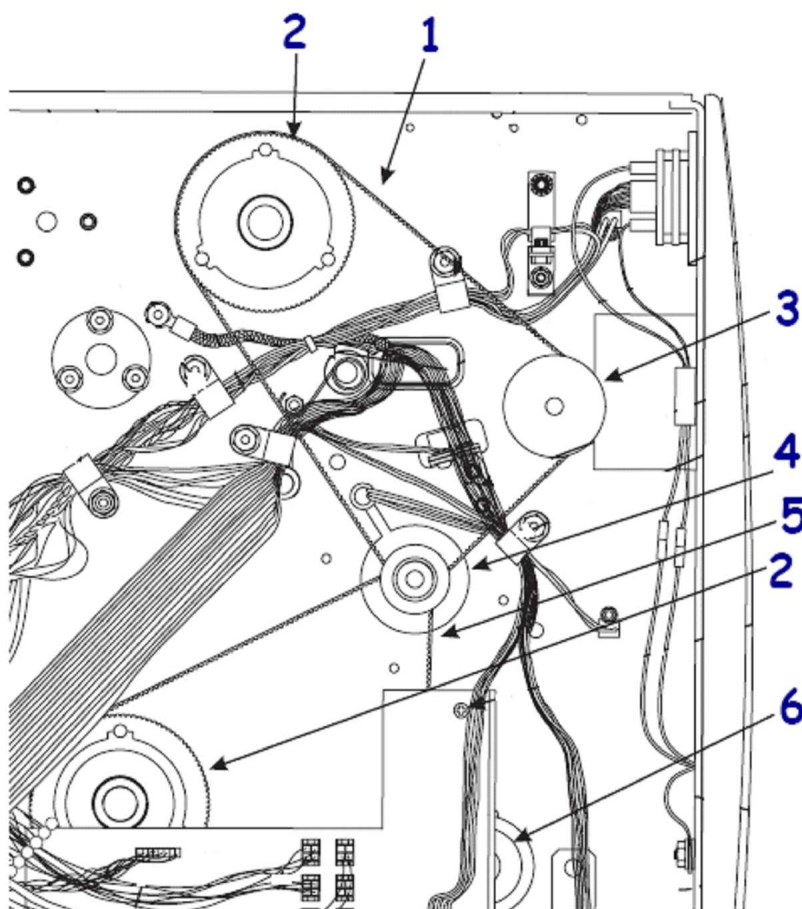
Pivot bar



Item Number	Description	Part Number	Kit Quantity
1	140 Kit Pivot Bar (includes toggle assemblies)	G48202M	1
1	170 Kit Pivot Bar (includes toggle assemblies)	38202M	1
1	220 Kit Pivot Bar (includes toggle assemblies)	G22222M	1
2	140, 170 Kit Toggle Assembly Only (Qty of 1)	35099M	1
2	220 Kit Toggle Assembly Only (Qty of 1)	22099M	1

140Xi3Plus, 170Xi3Plus, 220Xi3Plus Parts Catalog

Drive System Components

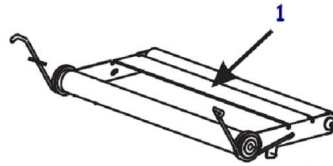


Item Number	Description	Part Number	Kit Quantity
1	140 (203 dpi), 170 (203 & 300 dpi), 220 (203 dpi only) Main Drive Belt	45189-5	1
1	220 (300 dpi) Main Drive Belt	45189-21	1
2	140, 170, 220 Kit Pulley for Ribbon Take Up and Media Take Up	31336M	1
3	140, 170, 220 Kit Platen Pulley	40355M	1
4	140, 170 Kit DC Stepper Motor and Pulley 203 dpi	G46198M	1
4	220 Kit DC Stepper Motor and Pulley 203 dpi	31197M	1
4	170 Kit DC Stepper Motor and Pulley 300 dpi	G46199M	1
4	220 Kit Stepper Motor and Pulley 300dpi	G31199M	1
5	140, 170, 220 Media Rewind Belt	45189-2	1
6	140, 170, 220 Kit Peel Roller Pulley	30914M	1
Not Shown	140, 170 Rewind Idler Pulley	30265	1
Not Shown	140, 170 Shaft for Rewind Idler Pulley	30207	1
Not Shown	220 Idler Pulley for Main Drive Belt and Rewind Belt	22265	1
Not Shown	220 Shaft for Idler Pulley	22207	1



140Xi3Plus, 170Xi3Plus, 220Xi3Plus Parts Catalog

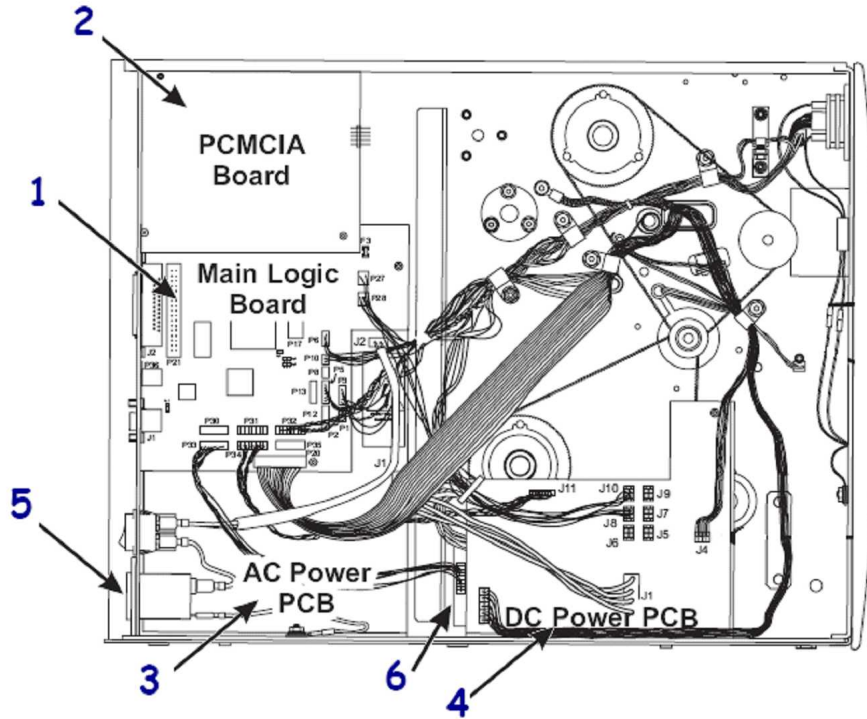
Dancer



Item Number	Description	Part Number	Kit Quantity
1	140 Kit Dancer Assy	46691-2M	1
1	170 Kit Dancer Assy	46691-3M	1
1	220 Kit Dancer Assy	22391M	1

140Xi3Plus, 170Xi3Plus, 220Xi3Plus Parts Catalog

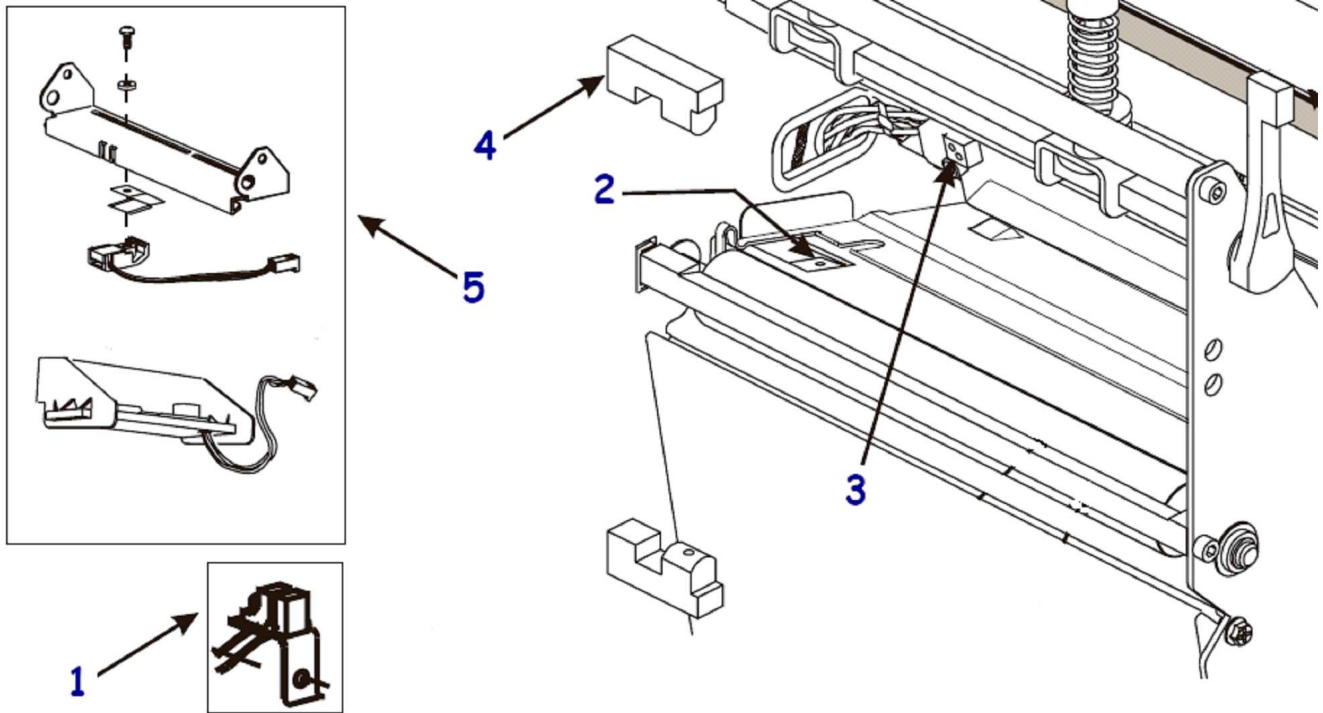
Electronic Components



Item Number	Description	Part Number	Kit Quantity
1	140, 170, 220 Kit Main Logic Board Xiii Plus 4MB	34901-030M	1
1	140, 170, 220 Kit Main Logic Board Xiii Plus 64MB	34901-032M	1
2	140, 170, 220 Kit Maint PCMCIA Board Assy	G33037M	1
3	140, 170, 220 Kit AC Power Supply	49566M	1
4	140, 170, 220 Kit DC Power Supply	G49790M	1
5	140, 170, 220 Power Entry Module w/Fuse and Ground Wire	37866	1
6	140, 170, 220 Kit PCB Cutter	G49730M	1
	140, 170, 220 Kit Internal Wireless Plus 802.11 b/g Radio. For use in the U.S., Canada, EU, Australia, New Zealand	29652-002M	1
	140, 170, 220 Kit Antenna Replacement for the Internal Wireless Plus Radio	39538M	1
	IPv4 140, 170, 220 Kit Internal ZebraNet Printserver 10/100 IPv4	G47480	1
	IPv4 140, 170, 220 Kit Internal ZebraNet Printserver 10Base-T IPv4	G46689	1
	140, 170, 220 IBM Twinax Upgrade Kit	G48924	1
	140, 170, 220 IBM Coax Upgrade Kit	G48925	1
	140, 170, 220 Kit Wireless Plus Board. In order to enable wireless function, a separate radio card must be purchased (not included).	29651-002M	1
	IPv6 140, 170, 220 Internal Print Server IPv6	P1000220	1

140Xi3Plus, 170Xi3Plus, 220Xi3Plus Parts Catalog

Sensors

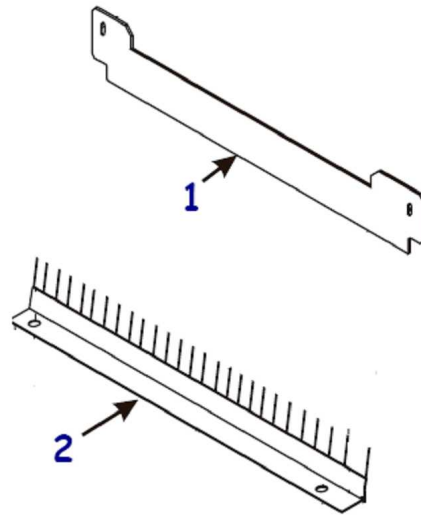


Item Number	Description	Part Number	Kit Quantity
1	140, 170, 220 Kit Head Open Sensor	G22613M	1
2	140, 170, 220 Kit Reflective Media (Black Mark) Sensor	G38226M	1
3	140, 170, 220 Kit Ribbon Sensor	G46665M	1
4	140, 170, 220 Kit Take Label Sensor (Upper and Lower)	G46609-4M	1
5	140 Kit Media Sensor Assembly (Upper and Lower)	G48302-4M	1
5	170 Kit Media Sensor Assembly (Upper and Lower)	G46302-4M	1
5	220 Kit Media Sensor Assembly (Upper and Lower)	G22302M	1
	140, 170, 220 Kit Flag for Head Open Sensor	G46352M	1
	140, 170, 220 Kit Cutter Sensor	G46618M	1



140Xi3Plus, 170Xi3Plus, 220Xi3Plus Parts Catalog

Ribbon Strip Plates & Ribbon Static Brushes

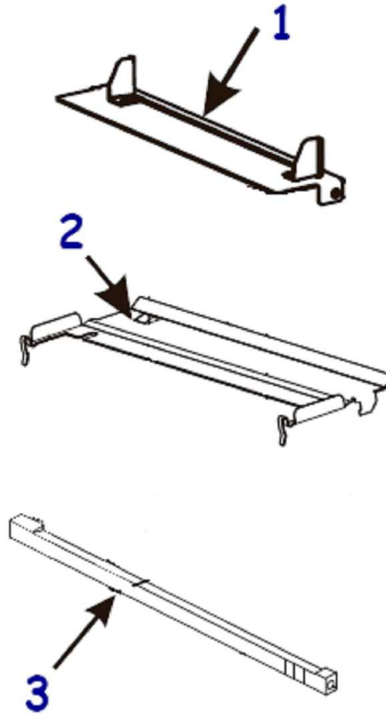


Item Number	Description	Part Number	Kit Quantity
1	140 Ribbon Strip Plate	48017	1
1	170 Ribbon Strip Plate	46017	1
1	220 Ribbon Strip Plate	22017	1
2	140 Ribbon Static Brush	31899	1
2	170 Ribbon Static Brush	46173	1
2	220 Ribbon Static Brush	22191	1



140Xi3Plus, 170Xi3Plus, 220Xi3Plus Parts Catalog

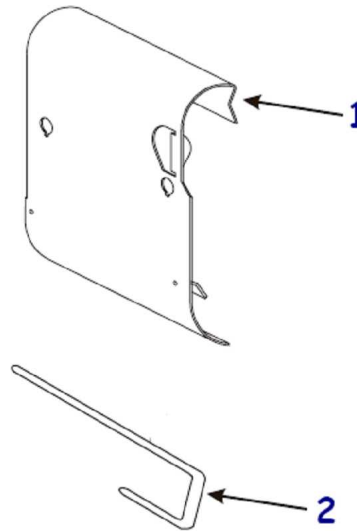
Media Guides - Media Guide Plates -Tear Bars



Item Number	Description	Part Number	Kit Quantity
1	140 Kit Media Guide	G40305RM	1
1	170 Kit Media Guide	G46305M	1
1	220 Kit Media Guide	G22305M	1
2	170 Upper Media Guide Plate	48043-1	1
2	140 Upper Media Guide Plate	48043-2	1
2	220 Upper Media Guide Plate	48043-4	1
3	140 Peel/Tear Bar	32415	1
3	170 Bar Peel / Tear Off	78225	1
3	220 Peel/Tear-Off Bar	33851	1

140Xi3Plus, 170Xi3Plus, 220Xi3Plus Parts Catalog

Media Rewind Components



Item Number	Description	Part Number	Kit Quantity
	140 Media Rewind Upgrade Kit (enables rewind and peel-off option)	G48355	1
	170 Media Rewind Upgrade Kit (enables rewind and peel-off option)	G46355	1
	220 Media Rewind Upgrade Kit (enables rewind and peel-off option)	G22455	1
1	140 Kit Media Rewind Plate	G48383M	1
1	170 Kit Media Rewind Plate	G46383M	1
1	220 Kit Media Rewind Plate	G22383M	1
1	140 Kit Media Rewind Plate to be used with Cutter Option	G40382RM	1
1	170 Kit Media Rewind Plate to be used with Cutter Option	G46382M	1
1	220 Kit Media Rewind Plate to be used with Cutter Option	G22382M	1
	140 Kit Rewind Platen Roller (same as main platen roller)	G40038M	1
	170 Kit Rewind Platen Roller (same as main platen roller)	G46278M	1
	220 Kit Rewind Platen Roller (same as main platen roller)	G22101M	1
2	140 J-Hook Media Rewind	47062-2	1
2	170 J-Hook Media Rewind	47062-1	1
2	220 J-Hook Media Rewind	47062-4	1



140Xi3Plus, 170Xi3Plus, 220Xi3Plus Parts Catalog

Cutter Components

Item Number	Description	Part Number	Kit Quantity
	140 Kit Cutter Option Includes Catch Tray	G48353	1
	170 Kit Cutter Option Includes Catch Tray	G46353	1
	220 Kit Cutter Option Includes Catch Tray	G22453	1
	140 Kit Cutter & Rewind Option Combined includes Cutter Catch Tray	G48154	1
	170 Cutter & Rewind Option Combined includes Cutter Catch Tray	G46154	1
	220 Cutter & Rewind Option Combined includes Cutter Catch Tray	G22454	1
	140, 170, 220 Kit Cutter Motor Maintenance	G30374M	1
	140, 170, 220 Kit Cutter Upper Drive Arm	46280M	1
	140, 170, 220 Kit Cutter Main Link	G30378M	1
	140, 170, 220 Kit Cutter Slotted Link	G30379M	1
	140, 170, 220 Kit Cutter Lower Drive Arm	G40380M	1
	140 Cutter Static Brush 6.50 x .50	40320	1
	170 Cutter Static Brush 8.50 x .50	46320	1
	220 Cutter Static Brush 10.47 x .50	22320	1
	140 Cutter Catch Tray	G48459	1
	170 Cutter Catch Tray	46459	1
	220 Cutter Catch Tray	G22459	1
	140, 170, 220 Kit Cutter Sensor	G46618M	1
	140, 170, 220 Kit Maint PCB Cutter	G49730M	1

Packing Materials for Printer Shipping

Item Number	Description	Part Number	Kit Quantity
	140 Kit Packing Material	G48311PM	1
	140 Kit Packing Materials Qty of 10	G48311PBM	10
	170 Kit Packing Material	46311PM	1
	170 Kit Packing Materials Qty of 10	G46311PBM	10
	220 Kit Packing Material	22311PM	1
	220 Kit Packing Materials Qty of 10	G22311PBM	10



140Xi3Plus, 170Xi3Plus, 220Xi3Plus Parts Catalog

Hardware

Item Number	Description	Part Number	Kit Quantity
	Cable Clamp 0.312 dia, Qty. of 25	HW01117	25
	Cable Clamp 0.500 dia, Qty of 25	HW06222	25
	Nut 6-32, Qty of 25	HW33809	25
	Nut 4-40 R S Zn Hx Elwash, Qty of 25	HW33823	25
	Crescent Ring Ext .250 Yel, Qty of 100	HW33810	100
	Screw 4-40 x .31, Qty of 25	HW78802	25
	Screw M4 x .7 x 5 Pn Ph Blk, Qty of 25	HW33826	25
	Bearing .500 x .252 x .250, Qty of 10	HW30198	10
	Bearing .375 x .189 x .125, Qty of 25	HW30199	25
	Washer Flt .564 x .384 x .060, Qty of 10	HW33806	10
	Screw 4-40 x .25 Tr Ph S, Qty of 25	HW32332	25
	Stop Head Lift Spring, Qty of 10	HW30266	10
	Washer .32 x .119 x .062 Neo Bl, Qty of 25	HW30494	25
	Plug Hole, Qty of 25	HW30826	25
	Washer Flt .207 x .146 x .030, Qty of 10	HW30956	10
	Nut Expansion 8/10, Qty of 25	HW40462	25
	Washer .50 x .25 x .031, Qty of 25	HW43974	25
	Rubber Grommet 1.25 x .62 x .105, Qty of 10	HW46091	10
	Hole Plug, Qty of 25	HW46267	25
	Scrw 10-32 .312 Cp So H Bo, Qty of 25	HW30394-005	25
	Screw 1/4 x 20 x .38 Bu So H Bo, Qty of 25	HW30405-006	25
	Screw 4-40 x .375, Qty of 25	HW30406-006	25
	Screw 6-32 x 0.5, Qty of 25	HW30407-008	25
	Screw 6-32 0.37, Qty of 25	HW32413-006	25
	Screw 6-32 x .750, Qty of 25	HW32413-012	25
	Screw 4-40 3/16, Qty of 100	HW46882-003	100
	FUSE 5.00 SB 250V 3A, Qty of 25	HW49616-5.0	25
	Screw M4 x .7 x 10, Qty of 100	HWQ10011	100
	Ring E Ext .250, Qty of 100	HWQ10019	100
	Screw 6-32 x .37 Ex Ph H B, Qty of 25	HW32404	25
	Screw 4-40 x .25 Pn Ph S B, Qty of 25	HW01882	25
	Screw, 6-32 .125, Qty of 25	HW33828	25
	Screw, 8-32 .250, Qty of 25	HW33812-004	25
	Plate Washer, Qty of 10	HW32352	10
	Cvd Washer .344 x .172 x .006, Qty of 25	HW40194	25
	Head Open Flag, set of 50	HW46352	50